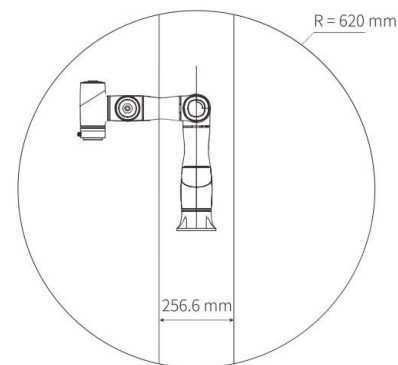
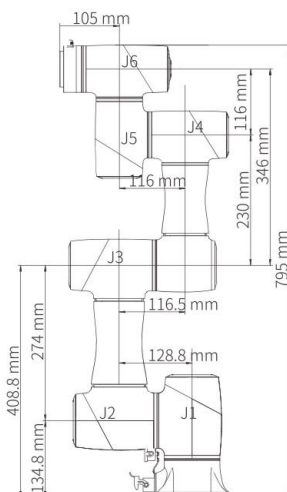
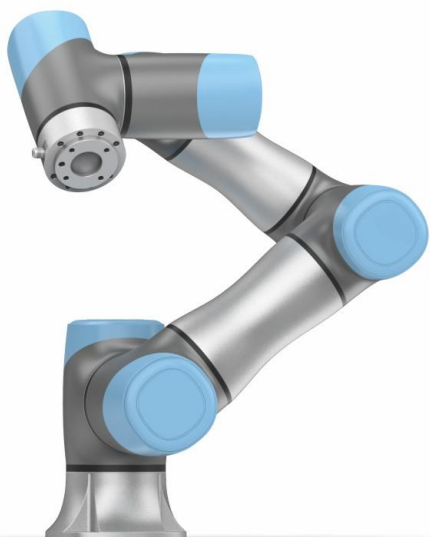


WEC-E3M Product And Size Drawings

产品及尺寸图



Series Product Parameters

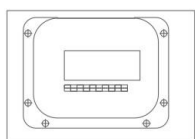
系列产品参数

本身体重:16.5kg
 最大负载:3kg
 工作半径:620mm
 最大直线速度:2m/s
 关节活动范围:J3:+155°(其他关节±360°)
 关节最大速度:J1/J2(180°/S)J3:(223°/S)J4/J5:(223°/S)
 末端IO:DI(2路)/DO(2路)/AI(2路与RS485复用)
 重复精准定位:±0.02mm
 IP等级:±IP54
 温度范围:0~50°
 典型功耗:120W
 安装方式:任意角度
 本体至电柜线缆长度:5m
 材质:铝合金、ABS塑料

Weight: 16.5kg
 Maximum load: 3kg
 Working radius: 620mm
 Maximum linear speed: 2m/s
 Joint range of motion: J3:±155° (other joints ±360°)
 Maximum joint speed: J1/J2(180°/S)J3: (223°/S) J4/J5: (223°/S)
 Terminal IO: DI(2 channels) /DO (2 channels) /AI (2 channels multiplexed with RS485)
 Repeated accurate positioning: ±0.02mm
 IP level: ±Ip54
 Temperature range: 0~50°C
 Typical power consumption: 120W
 Installation method: any Angle
 Length of cable between the body and the electrical cabinet: 5m
 Material: Aluminum alloy, ABS plastic

SHIPPING LIST

发货清单



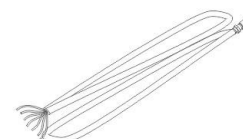
底座孔位标定纸
 Calibration Hole Base Paper



平板 (选配)
 Tablet Computer (Option)

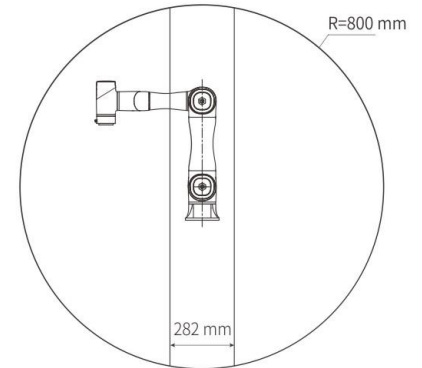
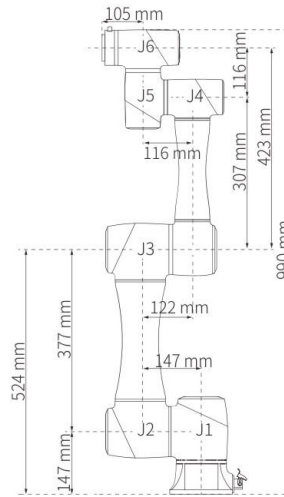
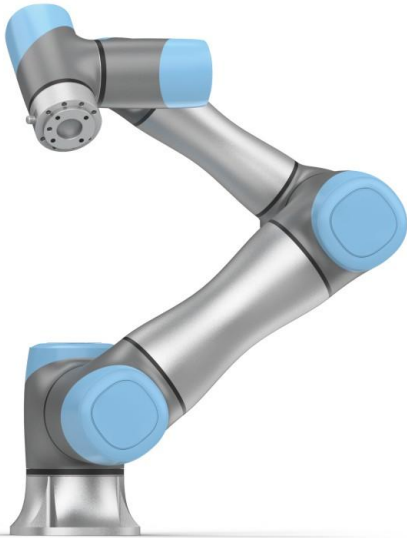


快速上手
 Quick Start



末端IO延长线
 Tool IO Extension Cable

WEC-E7M Product And Size Drawings 产品及尺寸图

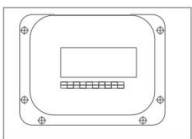


Series Product Parameters 系列产品参数

本身体重: 24.5kg
 最大负载: 7kg
 工作半径: 800mm
 最大直线速度: 2m/s
 关节活动范围: J3: ±160° (其他关节 ±360°)
 关节最大速度: J1/J2 (180°/S) J3: (223°/S) J4/J5: (223°/S)
 末端IO: DI (2路) /DO (2路) /AI (2路与RS485复用)
 重复精准定位: ±0.02mm
 IP等级: ±IP54
 温度范围: 0~50°C
 典型功耗: 150W
 安装方式: 任意角度
 本体至电柜线缆长度: 5m
 材质: 铝合金、ABS塑料

Weight: 24.5kg
 Maximum load: 7kg
 Working radius: 800mm
 Maximum linear speed: 2m/s
 Joint range of motion: J3: ±160° (other joints ±360°)
 Maximum joint speed: J1/J2 (180°/S) J3: (223°/S) J4/J5: (223°/S)
 Terminal IO: DI (2 channels) /DO (2 channels) /AI (2 channels multiplexed with RS485)
 Repeated accurate positioning: ±0.02mm
 IP level: ±IP54
 Temperature range: 0~50°C
 Typical power consumption: 150W
 Installation method: any Angle
 Length of cable between the body and the electrical cabinet: 5m
 Material: Aluminum alloy, ABS plastic

SHIPPING LIST 发货清单



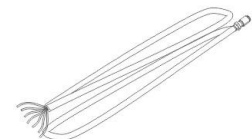
底座孔位标定纸
Calibration Hole Base Paper



平板 (选配)
Tablet Computer (Option)



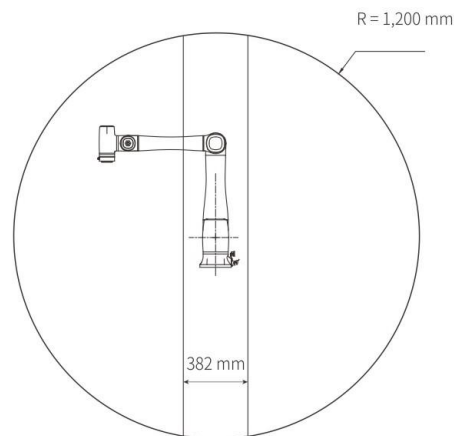
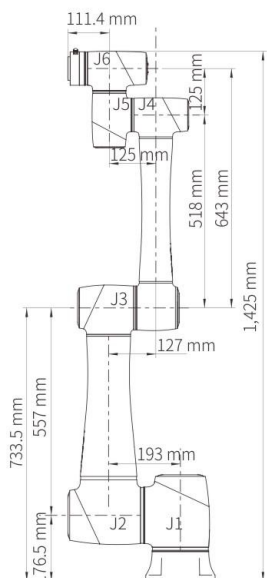
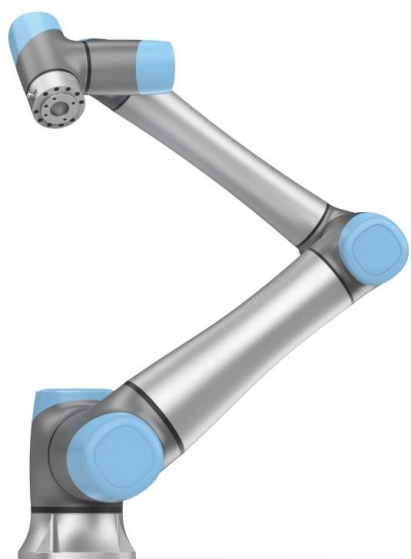
快速上手
Quick Start



末端IO延长线
Tool IO Extension Cable

WEC-E12M

Product And Size Drawings 产品及尺寸图

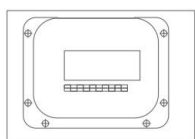


Series Product Parameters 系列产品参数

本身体重: 39.5kg
 最大负载: 12kg
 工作半径: 1200mm
 最大直线速度: 2m/s
 关节活动范围: J3: $\pm 160^\circ$ (其他关节 $\pm 360^\circ$)
 关节最大速度: J1/J2 (180°/S) J3: (223°/S) J4/J5: (223°/S)
 末端IO: DI (2路) / DO (2路) / AI (2路与RS485复用)
 重复精准定位: $\pm 0.03 \text{ mm}$
 IP等级: $\pm \text{IP54}$
 温度范围: $0 \sim 50^\circ \text{C}$
 典型功耗: 350W
 安装方式: 任意角度
 本体至电柜线缆长度: 5m
 材质: 铝合金、ABS塑料

Weight: 39.5kg
 Maximum load: 12kg
 Working radius: 1200mm
 Maximum linear speed: 2m/s
 Joint range of motion: J3: $\pm 160^\circ$ (other joints $\pm 360^\circ$)
 Maximum joint speed: J1/J2 (180°/S) J3: (223°/S) J4/J5: (223°/S)
 Terminal IO: DI (2 channels) / DO (2 channels) / AI (2 channels multiplexed with RS485)
 Repeated accurate positioning: $\pm 0.03 \text{ mm}$
 IP level: $\pm \text{IP54}$
 Temperature range: $0 \sim 50^\circ \text{C}$
 Typical power consumption: 350W
 Installation method: any Angle
 Length of cable between the body and the electrical cabinet: 5m
 Material: Aluminum alloy, ABS plastic

SHIPPING LIST 发货清单



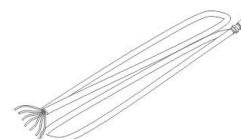
底座孔位标定纸
Calibration Hole Base Paper



平板 (选配)
Tablet Computer (Option)



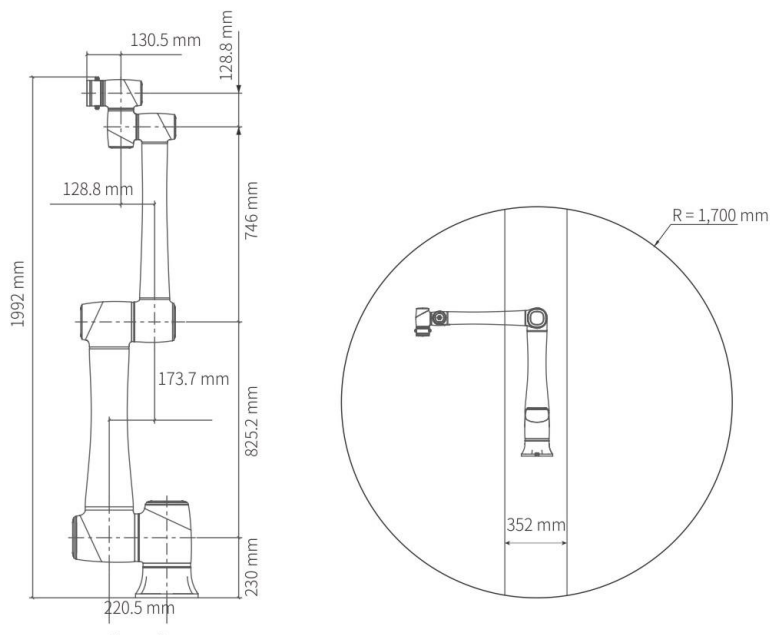
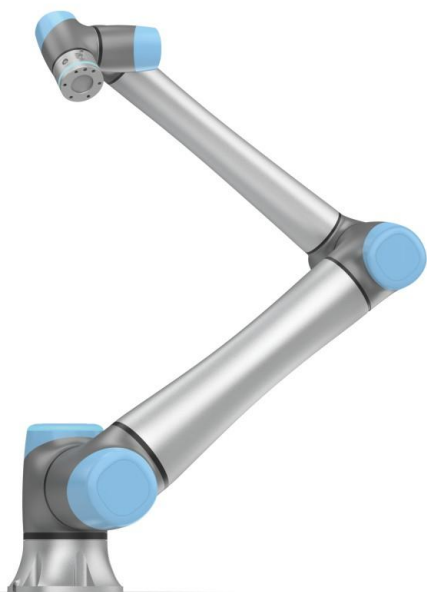
快速上手
Quick Start



末端IO延长线
Tool IO Extension Cable

WEC-E20M

Product And Size Drawings 产品及尺寸图

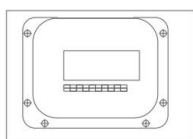


Series Product Parameters 系列产品参数

本身体重:70kg
 最大负载:20kg
 工作半径:1700mm
 最大直线速度:2m/s
 关节活动范围:J3:±165°(其他关节±360°)
 关节最大速度:J1/J2(120°/S)J3:(150°/S)J4/J5:(180°/S)
 末端IO:DI(4路)/DO(4路)/AI(4路与RS485复用)
 重复精准定位:±0.01mm
 IP等级:±IP54
 温度范围:0~50°C
 典型功耗:500W
 安装方式:任意角度
 本体至电柜线缆长度:6m
 材质:铝合金、ABS塑料

Weight: 70kg
 Maximum load: 20kg
 Working radius: 1700mm
 Maximum linear speed: 2m/s
 Joint range of motion: J3: ±165° (other joints ±360°)
 Maximum joint speed: J1/J2(120°/S)J3: (150°/S) J4/J5: (180°/S)
 Terminal IO: DI(4 channels) /DO (4 channels) /AI (4 channels multiplexed with RS485)
 Repeated accurate positioning: ±0.01mm
 IP level: ±Ip54
 Temperature range: 0~50°C
 Typical power consumption:500W
 Installation method: any Angle
 Length of cable between the body and the electrical cabinet: 6m
 Material: Aluminum alloy, ABS plastic

SHIPPING LIST 发货清单



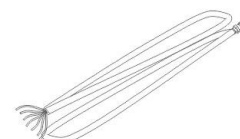
底座孔位标定纸
Calibration Hole Base Paper



平板(选配)
Tablet Computer (Option)



快速上手
Quick Start



末端IO延长线
Tool IO Extension Cable

Palletizing Cobot 码垛机器人

操作简单

- 图形化编程、简单高效, 无需精通编程语言即可
- 轻松使用机器人。
- 半小时可掌握编程方式, 1小时可完成简易编程。

Easy to operate

- Graphical programming, simple and efficient, no need to master the programming language
- Easy use of robots.
- Half an hour to master the programming method, 1 hour to complete simple programming.

灵活部署

- 集成设计, 轻便灵活, 占地面积小;
- 工作站部署新任务设置简单快捷, 效率高。

Flexible deployment

- Integrated design, light and flexible, small footprint;
- Workstation deployment new task setting is simple and fast, high efficiency;

应用广泛

- 广泛应用于食品、医药、3C、日化、印刷等行业领域。

Wide Applications

- Widely used in food, pharmaceuticals, 3C, daily chemistry, e-commerce and other industries;



50kg固定款 50kgFixed style

Technical Parameter

技术参数

| | |
|--|----------------------------|
| 型号 Model number | LUX-500EC |
| 机器人负载 Robot load | 50kg |
| 工作半径 Working radius | 1700mm |
| 水平距离(卡板规格) Horizontal distance (plate size) | 轴1/2/3:120°/s, 轴4/5:234°/s |
| 垂直距离 Vertical distance | 升降式H2=2100mm |
| 码垛速度 Palletizing speed | < 6pcs/min |
| 重复定位精度 Repeated positioning accuracy | ±0.04mm |
| 通讯方式 Communication mode | TCP/IP |
| IP等级 IP level | IP54 |
| 温度范围 Temperature range | 0-55°C |
| 最大功耗 Maximum power consumption | 4.8kw |
| 电箱供电 Box power supply | 单相220V/50HZ |
| 整机重量 Machine weight | ≈420kg |
| 占地面积 Floor space | 1505* 1716mm |
| 设备高度 Equipment height | 3.5m |

Shipping List

码垛工作站拓展配置方案

进一步保障码垛工作站的安全性 Further guarantee the security of palletizing workstation.

激光雷达传感器

- 无接触、灵活设置检测距离
- 靠近黄色区域报警减速
- 进入红色区域立即停机

光栅传感器

- 性能稳定,抗干扰能力强
- 感应灵敏度高,快速反应
- 使用寿命长

安全围栏

- 物理防护,安全可靠

Lidar sensor

No contact, flexible setting of detection distance
Slow down near the yellow zone
Stop immediately when entering the red zone

Grating sensor

Stable performance, strong anti-interference ability
High sensitivity, fast response.
Long service life

Safety fence

Physical protection, safe and reliable

BRTIRSC0603A

FOUR-AXIS ROBOT 四轴机器人

产品特点

BRTIRSC0603A是罗伯蒂克针对某些单调、频繁和重复的长时间作业等而开发的一款四轴机器人,其拥有600mm臂展,最大负载可达3kg。具有多自由度的灵活性,主要用于印刷包装、金属加工、轻纺家居、电子装备等领域。

防护等级高:IP40。

精度高:重复定位精度±0.02mm。

Product Features

BRTIRSC0603A type robot is a four-axis robot that developed by ROBOTIC for some monotonous, frequent and repetitive long-term operations.The maximum arm length is 600mm. The maximum load is 3kg.It's flexible with multiple degrees of freedom. Suitable for printing and packaging, metal processing, textile homefurnishing, electronic equipment, and other fields.

The protection grade reaches Ip40.

The repeat positioning accuracy is

±0.02mm.

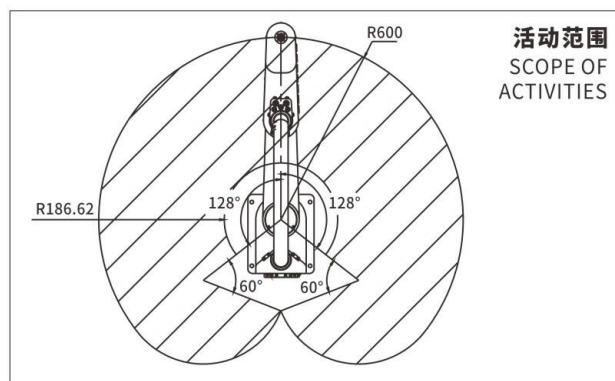
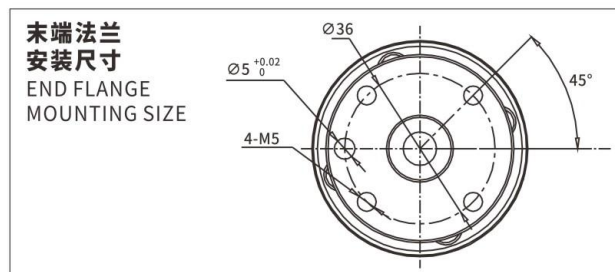
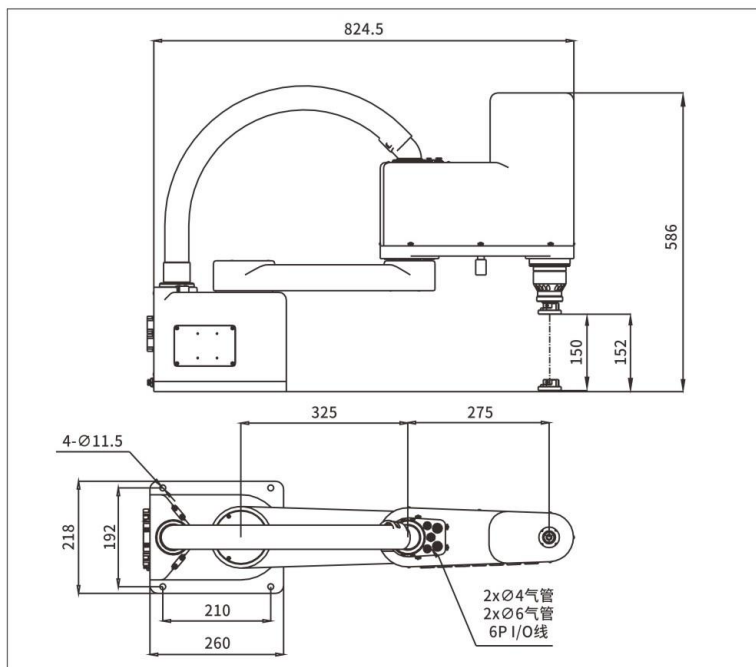


·BRTSC0603AVS·
机型+2D视觉系统
Robot+2D visual system

主要规格 Main Specification

| 机型/Model | 项目/Item | 手臂/Arm | | | 手腕/Wrist | 臂展 (mm) Arm Length | 负载 (kg) Loading ability | 重复定位精度 (mm) Repeated positioning accuracy | 电源容量 (kVA) Power Source | 重量 (kg) Weight |
|--------------|------------------------|--------|--------|---------|----------|-----------------------|----------------------------|--|----------------------------|-------------------|
| | | J1 | J2 | J3 | J4 | | | | | |
| BRTIRSC0603A | 范围(°) Range | ±128° | ±145° | 150mm | ±360° | 600 | 3 | ±0.02 | 5.62 | 约28 about 28 |
| | 最大速度(°/s) Max.Speed | 480°/s | 576°/s | 900mm/s | 696°/s | | | | | |

基本尺寸/活动范围 Basic Size/scope Of Activities



因改良等原因,规格及外观有所变更时,不再另行通知,敬请谅解。

No further notice if the specification and appearance are changed due to improvement and other reasons. Thank you for your understanding.

BRTIRPL1003A

FOUR-AXIS ROBOT 四轴机器人

产品特点

BRTIRPL1003A是罗伯蒂克首款针对轻小散乱物料的装配、分拣等应用场景开发的四轴机器人,可以搭配视觉,其拥有1000mm臂展,最大负载可达3kg。

防护等级高:IP40。

精度高:重复定位精度 ± 0.1 mm。

Product Features

BRTIRPL1003A type robot is a four-axis robot that developed by ROBOTIC for assembly, sorting and other application scenarios of light, small and scattered materials. The maximum arm length is 1000mm and the maximum load is 3kg.

The protection grade reaches Ip40.

The repeat positioning accuracy is ± 0.1 mm.

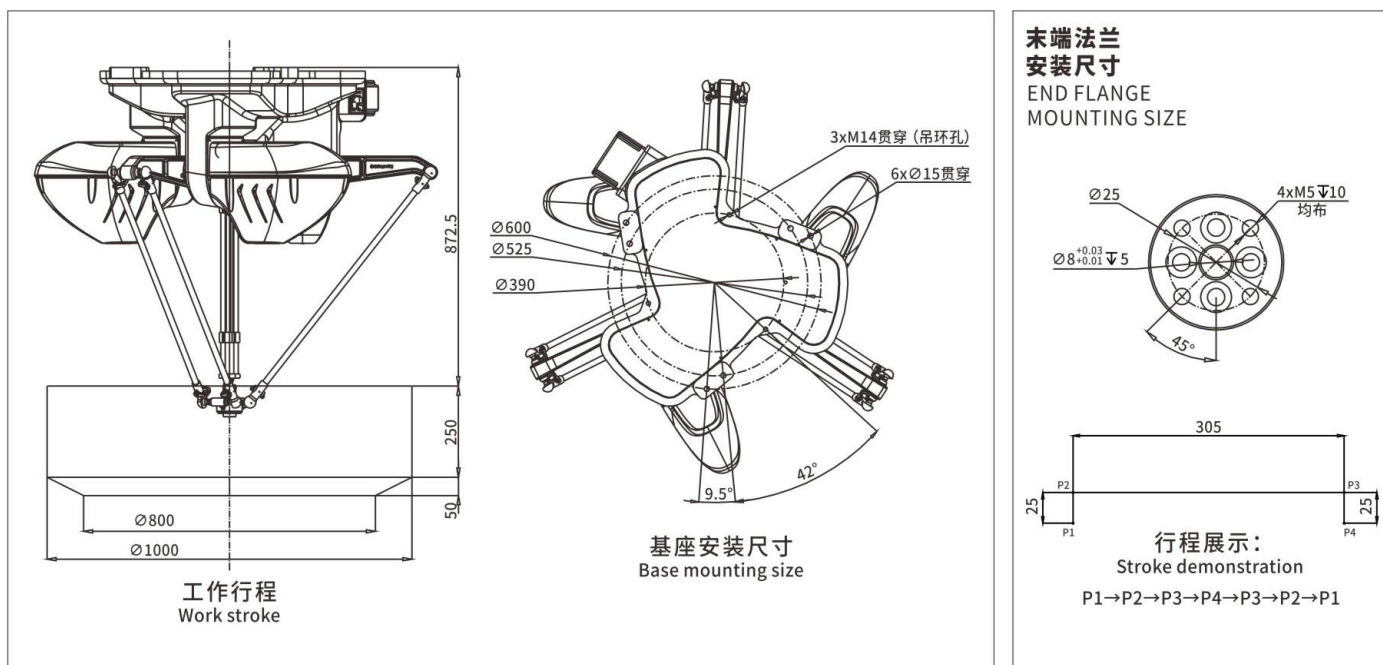


·BRTPL1003AVS·
机型+2D视觉系统
Robot+2D visual system

主要规格 Main Specification

| 机型/Model | 项目/Item | 主动臂/Master Arm | | 末端/End | 臂展(mm) Arm Length | 负载(kg) Loading Ability | 位置重复定位精度 (mm) location repeated positioning accuracy | 角度重复定位精度 (#°) Angle repeated positioning accuracy | 允许负载最大转动惯量 (kg.m ²) Maximum allowable moment of inertia of load | 电源电容 (kVA) Power Source | 重量 (kg) Weight |
|--------------|-------------------------------|--|--------|-------------------------|----------------------|---------------------------|---|--|--|----------------------------|-------------------|
| | | 上摆/Upper | 下摆/Hem | J4 | | | | | | | |
| BRTIRPL1003A | 范围(#°) Range | 46.7° | 86.6° | $\pm 360^\circ$ | 1000 | 3 | ± 0.1 | ± 0.5 | 0.01 | 3.18 | 约104 about104 |
| | 节拍(次/min) Rhythm(time/min) | 行程:25/305/25(mm) stroke:25/305/25(mm) | | 150次/min 150time/min | | | | | | | |

基本尺寸/活动范围 Basic Size/scope Of Activities



因改良等原因,规格及外观有所变更时,不再另行通知,敬请谅解。

No further notice if the specification and appearance are changed due to improvement and other reasons. Thank you for your understanding.

BRTIRPL1608A

FOUR-AXIS ROBOT 四轴机器人

产品特点

BRTIRPL1608A是罗伯蒂克针对轻小散乱物料的装配、分拣等应用场景开发的四轴机器人,可以搭配视觉,其拥有1600mm臂展,最大负载可达8kg。

防护等级高:IP40。

精度高:重复定位精度 ± 0.1 mm。

Product Features

BRTIRPL1608A type robot is a four-axis robot that developed by ROBOTIC for assembly, sorting and other application scenarios of light, small and scattered materials. The maximum arm length is 1600mm and the maximum load is 8kg.

The protection grade reaches Ip40.

The repeat positioning accuracy is ± 0.1 mm.

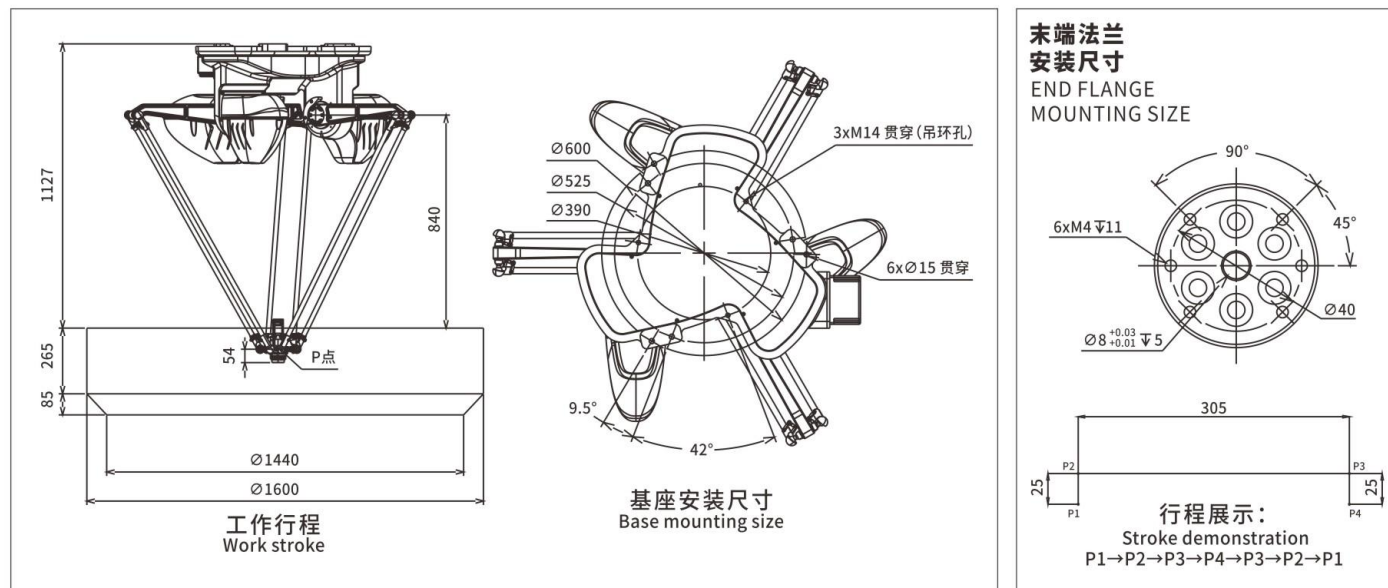


·BRTPL1608AVS·
机型+2D视觉系统
Robot+2D visual system

主要规格 Main Specification

| 机型/Model | 项目/Item | 主动臂/Master Arm | | 末端/End | | 臂展 (mm) Arm Length | 负载 (kg) Loading Ability | 位置重复定位精度 (mm) location repeated positioning accuracy | 角度重复定位精度 (°) Angle repeated positioning accuracy | 允许负载最大转动惯量 (kg.m ²) Maximum allowable moment of inertia of load | 电源电容 (kVA) Power Source | 重量 (kg) Weight |
|--------------|---|----------------|--------|--------|-----|-----------------------|----------------------------|---|---|--|----------------------------|-------------------|
| | | 上摆/Upper | 下摆/Hem | J4 | | | | | | | | |
| BRTIRPL1608A | 范围(°) Range | 38° | 98° | ±360° | | 1600 | 8 | ±0.1 | ±0.5 | 0.01 | 6.36 | 约95 about 95 |
| | 节拍所带负载(kg) Cyclic loading (kg) | 0kg | 3kg | 5kg | 8kg | | | | | | | |
| | 节拍(次/min) (行程:25/305/25(mm)) Rhythm(time/min) (stroke:25/305/25(mm)) | 150 | 150 | 130 | 115 | | | | | | | |

基本尺寸/活动范围 Basic Size/scope Of Activities



因改良等原因,规格及外观有所变更时,不再另行通知,敬请谅解。

No further notice if the specification and appearance are changed due to improvement and other reasons. Thank you for your understanding.

BRTIRPZ1508A

FOUR-AXIS ROBOT 四轴机器人

产品特点

BRTIRPZ1508A采用全伺服电机驱动,响应速度快,精度高。其最大负载为8kg,最大臂展可达1500mm。以紧凑的结构实现大范围动作,运动灵活,精准。用途:在工业生产中能代替人做某些单调、频繁和重复的长时间作业,或是危险、恶劣环境下的作业,例如在冲压机、压力铸造、热处理、焊接、涂装、塑料制品成形、机械加工和简单装配等工序上,以及在原子能工业等部门中,完成对人体有害物料的搬运或工艺操作等,完美完成上下料工艺。

防护等级高:IP40。

精度高:重复定位精度±0.05mm。

Product Features

BRTIRPZ1508A applies full servo motor drive with fast response and high position accuracy. The maximum load is 8kg, the maximum arm length is 1500mm. Compact structure achieves a wide range of movements, flexible sports, precise. Suitable for dangerous and harsh environments, such as stamping, pressure casting, heat treatment, welding, painting, plastic molding, machining and simple assembly processes. And in the atomic energy industry, completing the handling of hazardous materials and others. It is suitable for punching.

The protection grade reaches Ip40.

The repeat positioning accuracy is ±0.05mm.



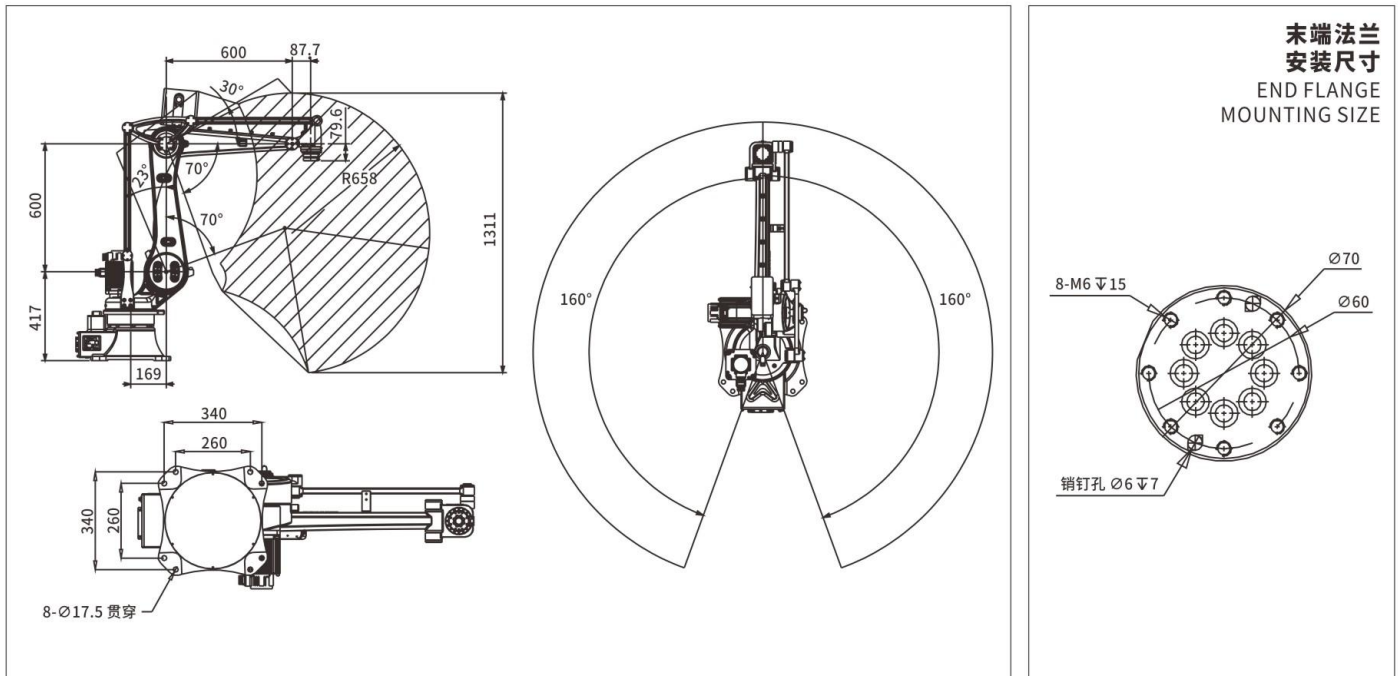
·BRTPZ1508AFZ·
机型+非磁性分张器
Robot+Non-magnetic splitter

·BRTPZ1508AHM·
机型+海绵吸盘
Robot+Sponge suction cups

主要规格 Main Specification

| 机型/Model | 项目/Item | 手臂/Arm | | | 手腕/Wrist | | | 臂展(mm) Arm Length | 负载(kg) Loading ability | 重复定位精度(mm) Repeated positioning accuracy | 电源容量(kVA) Power Source | 重量(kg) Weight |
|--------------|------------------------|----------|-----------|-----------|----------|----|----------|----------------------|---------------------------|---|---------------------------|-------------------|
| | | J1 | J2 | J3 | J4 | J5 | R34 | | | | | |
| BRTIRPZ1508A | 范围(°) Range | ±160° | -70°/+23° | -70°/+30° | ±360° | / | 60°-165° | 1500 | 8 | ±0.05 | 3.18 | 约150 about 150 |
| | 最大速度(°/s) Max.speed | 219.8°/s | 222.2°/s | 272.7°/s | 412.5°/s | / | / | | | | | |

基本尺寸/活动范围 Basic Size/scope Of Activities



因改良等原因,规格及外观有所变更时,不再另行通知,敬请谅解。

No further notice if the specification and appearance are changed due to improvement and other reasons. Thank you for your understanding.

BRTIRUS0805A

SIX-AXIS ROBOT
六轴机器人



产品特点

BRTIRUS0805A型机器人是罗伯蒂克开发的一款六轴机器人, 整个系统操作简单、结构紧凑、定位精度高、动态性能好, 其5kg的负载能力尤其适用于注塑、取件、冲压、搬运、上下料、装配等领域, 适用于注塑30T-250T。

防护等级高: 手腕 IP54、本体 IP40。

精度高: 重复定位精度 $\pm 0.05\text{mm}$ 。

Product Features

BRTIRUS0805A type robot is a Six-axis robot that developed by ROBOTIC. The whole operation system is simple, compact structure, high position accuracy and has good dynamic performance. The load ability is 5kg, especially suitable for injection molding, taking, stamping, handling, loading and unloading, assembly, etc. It is suitable for injection molding machine range from 30T-250T.

The protection grade reaches IP54 at the wrist and IP40 at the body.

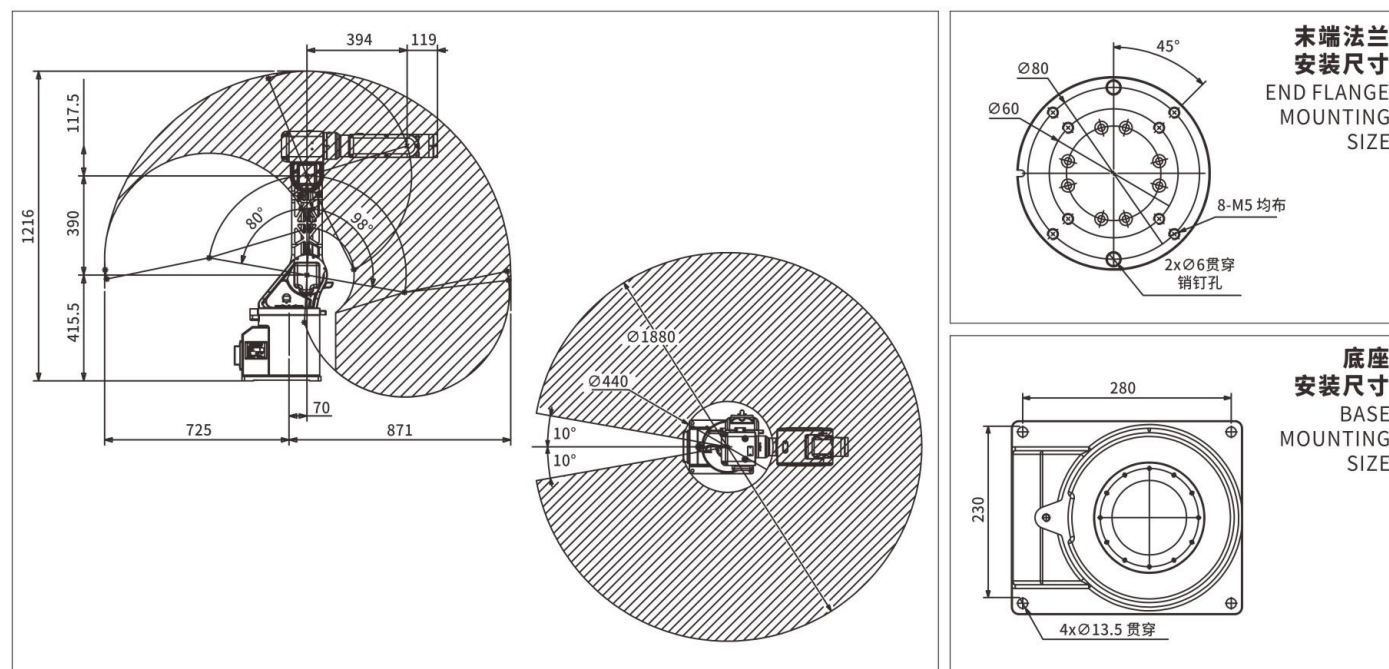
The repeat positioning accuracy is $\pm 0.05\text{mm}$.

- **BRTUS0805ALB** ·
机型+轴向力位补偿器
Robot+Axial force position compensator
- **BRTUS0805AQD** ·
机型+气动浮动电主轴
Robot+Pneumatic floating electric spindle
- **BRTUS0805AQQ** ·
机型+气动浮动气主轴
Robot+Pneumatic floating pneumatic spindle

主要规格 Main Specification

| 机型/Model | 项目/Item | 手臂/Arm | | | 手腕/Wrist | | | 臂展(mm) Arm Length | 负载(kg) Loading ability | 重复定位精度(mm) Repeated positioning accuracy | 电源容量(kVA) Power Source | 重量(kg) Weight |
|--------------|------------------------|-----------------|-----------------------|-----------------------|-----------------|-----------------|-----------------|----------------------|---------------------------|---|---------------------------|------------------|
| | | J1 | J2 | J3 | J4 | J5 | J6 | | | | | |
| BRTIRUS0805A | 范围(°) Range | $\pm 170^\circ$ | $-98^\circ/+80^\circ$ | $-80^\circ/+95^\circ$ | $\pm 180^\circ$ | $\pm 120^\circ$ | $\pm 360^\circ$ | 940 | 5 | ± 0.05 | 3.67 | 约53 about 53 |
| | 最大速度(°/s) Max.speed | 237°/s | 267°/s | 370°/s | 337°/s | 600°/s | 588°/s | | | | | |

基本尺寸/活动范围 Basic Size/scope Of Activities



因改良等原因, 规格及外观有所变更时, 不再另行通知, 敬请谅解。

No further notice if the specification and appearance are changed due to improvement and other reasons. Thank you for your understanding.

BRTIRUS0707A

SIX-AXIS ROBOT 六轴机器人

产品特点

BRTIRUS0707A是罗伯蒂克针对某些单调、频繁和重复的长时间作业,或是危险、恶劣环境下的作业等而开发的一款六轴机器人,其拥有700mm臂展,最大负载可达7kg。具有多自由度的灵活性,对打磨、装配、喷涂等场景能够应对自如。

防护等级高:IP65,防尘防水。

精度高:重复定位精度±0.03mm。

Product Features

BRTIRUS0707A type robot is a six-axis robot that developed by ROBOTIC for some monotonous, frequent and repetitive long-term operations or operations in dangerous and harsh environments. The maximum arm length is 700mm. The maximum load is 7kg. It's flexible with multiple degrees of freedom. Suitable for polishing, assembling, painting, etc.

The protection grade reaches Ip65.

Dust-proof and water-proof.

The repeat positioning accuracy is ±0.03mm.



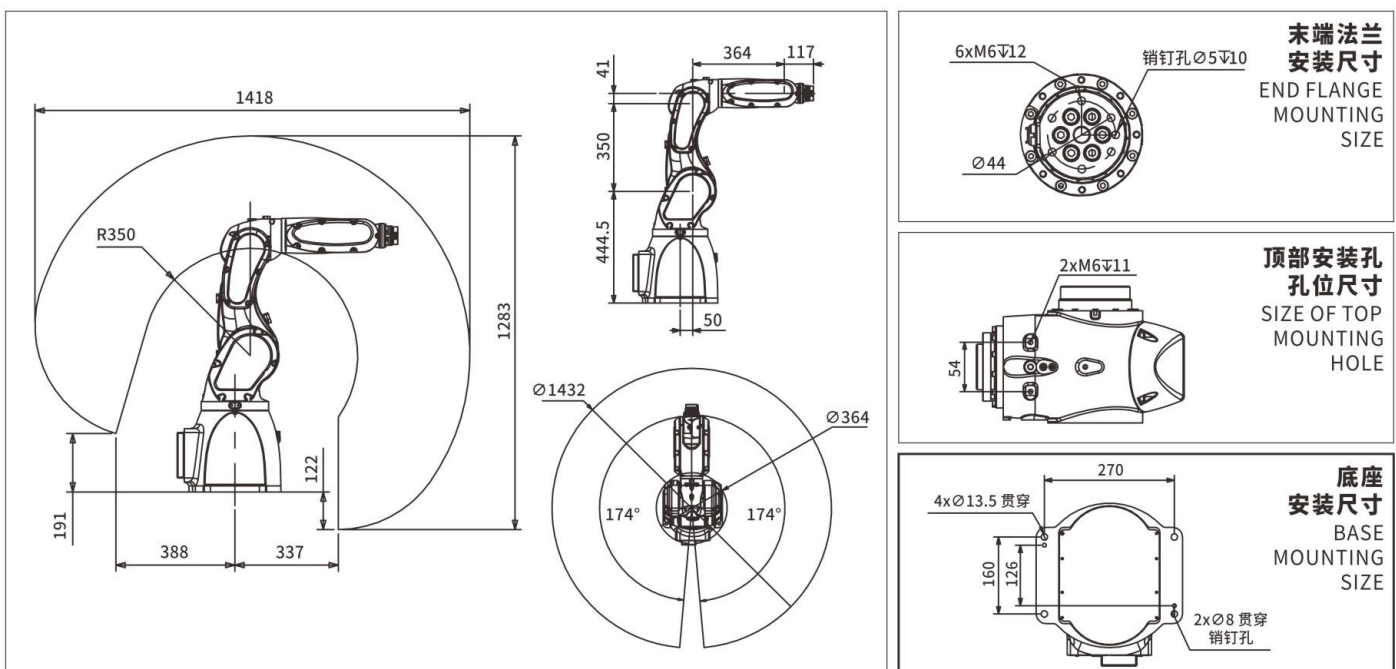
·BRTUS0707AQD·
机型+气动浮动电主轴
Robot+Pneumatic floating electric spindle

·BRTUS0707AQQ·
机型+气动浮动气主轴
Robot+Pneumatic floating pneumatic spindle

主要规格 Main Specification

| 机型/Model | 项目/Item | 手臂/Arm | | | 手腕/Wrist | | | 臂展(mm) Arm Length | 负载(kg) Loading ability | 重复定位精度(mm) Repeated positioning accuracy | 电源容量(kVA) Power Source | 重量(kg) Weight |
|--------------|------------------------|----------|------------|------------|----------|--------|--------|----------------------|---------------------------|---|---------------------------|------------------|
| | | J1 | J2 | J3 | J4 | J5 | J6 | | | | | |
| BRTIRUS0707A | 范围(°) Range | ±174° | -125°/+85° | -60°/+175° | ±180° | ±120° | ±360° | 700 | 7 | ±0.03 | 2.93 | 约55 about 55 |
| | 最大速度(°/s) Max.speed | 220.8°/s | 270°/s | 375°/s | 308°/s | 300°/s | 342°/s | | | | | |

基本尺寸/活动范围 Basic Size/scope Of Activities



因改良等原因,规格及外观有所变更时,不再另行通知,敬请谅解。

No further notice if the specification and appearance are changed due to improvement and other reasons. Thank you for your understanding.

BRTIRUS1510A

SIX-AXIS ROBOT 六轴机器人

产品特点

BRTIRUS1510A是罗伯蒂克针对多自由度的复杂应用而开发的六轴机器人,其最大负载可达10kg,拥有1500mm臂展。采用轻量式手臂设计,机械结构紧凑、简洁,在高速运动状态下,能够在狭小工作空间内进行灵活作业,满足柔性化生产需要。具有六个自由度的灵活性,对上下料、注塑、压铸、装配、涂胶、打磨、检测等场景能够随心所欲。操作简单—采用华成控制系统。适用于注塑机:200T-600T。

防护等级高:IP54 防尘防水

精度高:重复定位精度±0.05mm。

Product Features

BRTIRUS1510A is a six-axis robot developed by ROBOTIC. for complex applications with multiple degrees of freedom. The maximum load is 10kg, the maximum arm length is 1500mm. Lightweight arm design, compact and simple mechanical structure, in the state of high speed movement, can be carried out in a small workspace flexible work, meet the needs of flexible production. It has six degrees of flexibility. Suitable for painting, welding, molding, stamping, forging, handling, loading, assembling, etc. It adopts HC control system. It is suitable for injection molding machine range from 200T-600T.

The protection grade reaches Ip54.

Dust-proof and water-proof.

The repeat positioning accuracy is ±0.05mm.



·BRTUS1510AFZ·

机型+非磁性分张器
Robot+Non-magnetic splitter

·BRTUS1510AHM·

机型+海绵吸盘
Robot+Sponge suction cups

·BRTUS1510ALB·

机型+轴向力补偿器
Robot+Axial force position compensator

·BRTUS1510AQD·

机型+气动浮动电主轴
Robot+Pneumatic floating electric spindle

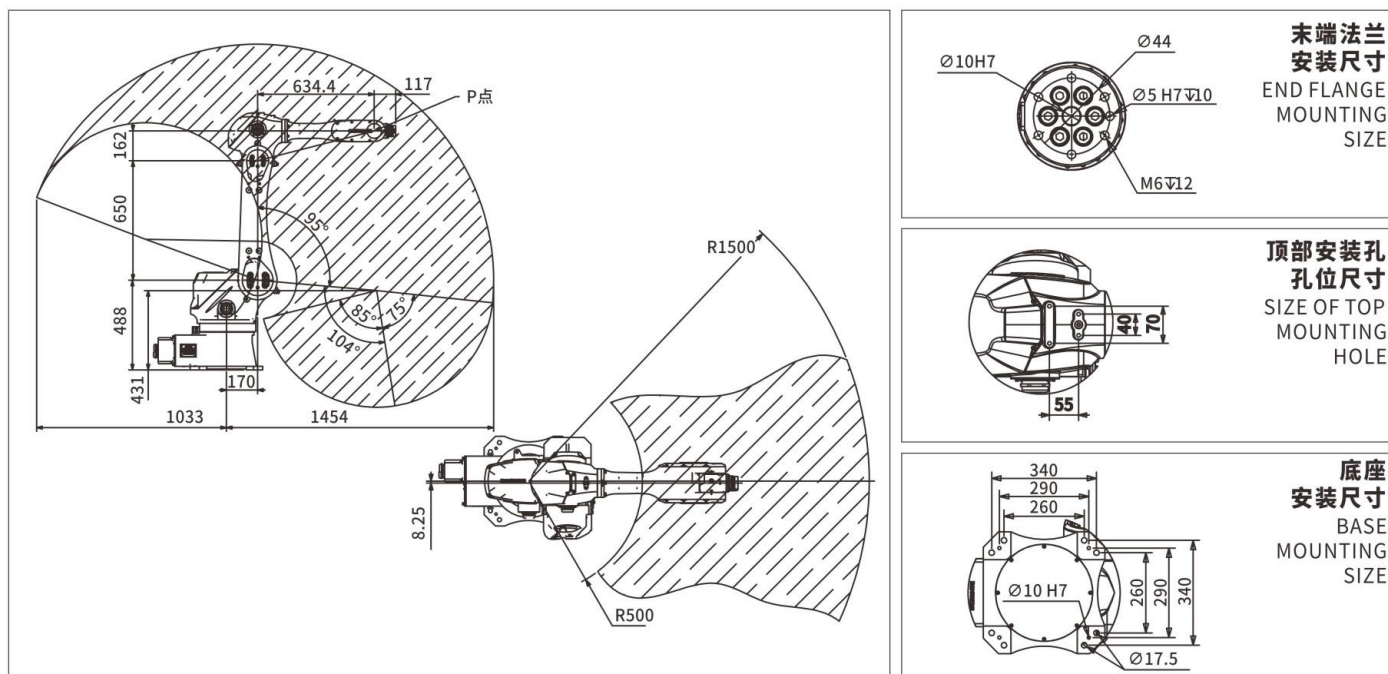
·BRTUS1510AQQ·

机型+气动浮动气主轴
Robot+Pneumatic floating pneumatic spindle

主要规格 Main Specification

| 机型/Model | 项目/Item | 手臂/Arm | | | 手腕/Wrist | | | 臂展(mm) Arm Length | 负载(kg) Loading ability | 重复定位精度(mm) Repeated positioning accuracy | 电源容量(kVA) Power Source | 重量(kg) Weight |
|--------------|------------------------|--------|----------|-----------|----------|--------|--------|----------------------|---------------------------|---|---------------------------|-------------------|
| | | J1 | J2 | J3 | J4 | J5 | J6 | | | | | |
| BRTIRUS1510A | 范围(°) Range | ±165° | -95/+70° | -85°/+75° | ±180° | ±115° | ±360° | 1500 | 10 | ±0.05 | 5.06 | 约150 about 150 |
| | 最大速度(°/s) Max.speed | 190°/s | 173°/s | 223°/s | 250°/s | 270°/s | 336°/s | | | | | |

基本尺寸/活动范围 Basic Size/scope Of Activities



因改良等原因,规格及外观有所变更时,不再另行通知,敬请谅解。

No further notice if the specification and appearance are changed due to improvement and other reasons. Thank you for your understanding.

BRTIRWD1506A SIX-AXIS ROBOT 六轴机器人

产品特点

BRTIRWD1506A是罗伯蒂克针对焊接应用行业开发的六轴机器人。机器人结构紧凑、体积小、重量轻、最大负载6kg、臂展1600mm。腕部采用中空结构，走线更方便、动作更灵活。

防护等级高：IP54,防尘防水。

精度高：重复定位精度±0.05mm。

Product Features

BRTIRWD1506A six-axis industrial robot is ROBOTIC designed for the development of the welding application industry. The robot has compact structure, small volume and light weight. The maximum load is 6kg, the maximum arm length is 1600mm. The wrist applies hollow structure with more convenient trace and flexible action.

The protection grade reaches Ip54.

Dust-proof and water-proof.

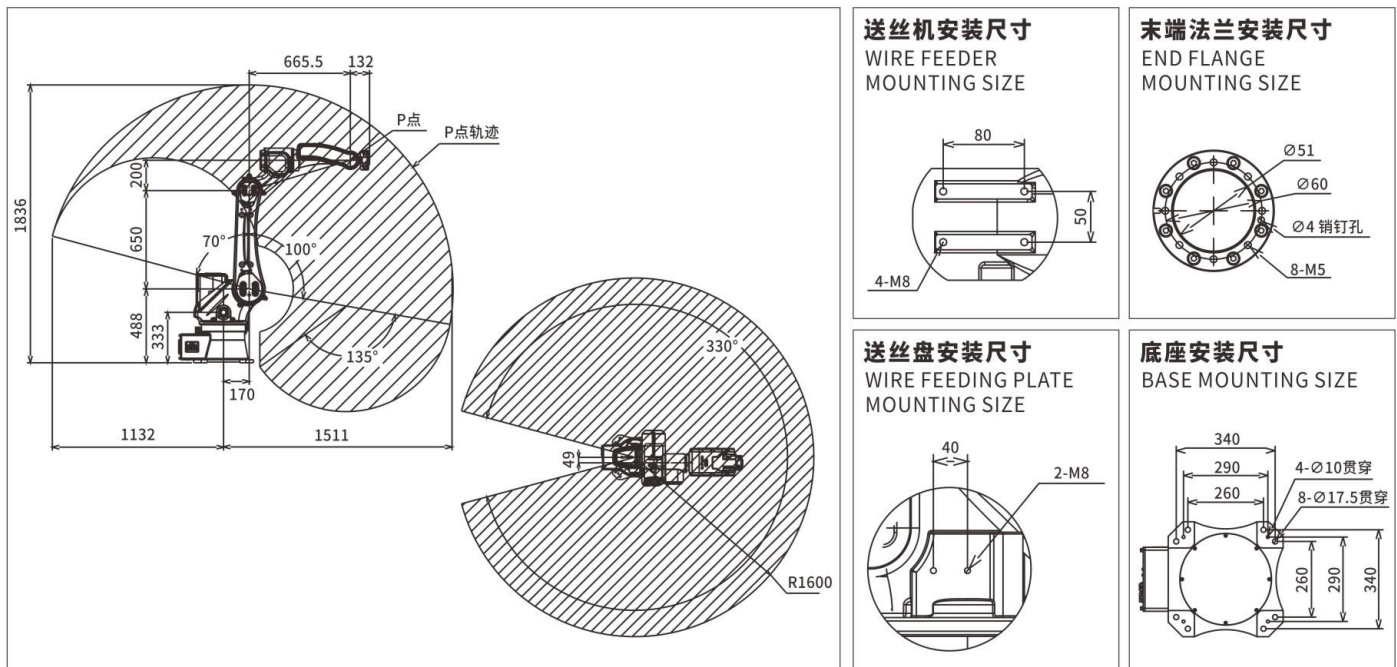
The repeat positioning accuracy is ±0.05mm.



主要规格 Main Specification

| 机型/Model | 项目/Item | 手臂/Arm | | | 手腕/Wrist | | | 臂展(mm) Arm Length | 负载(kg) Loading ability | 重复定位精度(mm) Repeated positioning accuracy | 电源容量(kVA) Power Source | 重量(kg) Weight |
|--------------|------------------------|--------|------------|--------|----------|--------|--------|----------------------|---------------------------|---|---------------------------|-------------------|
| | | J1 | J2 | J3 | J4 | J5 | J6 | | | | | |
| BRTIRWD1506A | 范围(°) Range | ±165° | -100°/+70° | ±80° | ±150° | ±110° | ±360° | 1600 | 6 | ±0.05 | 4.64 | 约166 about 166 |
| | 最大速度(°/s) Max.speed | 163°/s | 149°/s | 223°/s | 169°/s | 270°/s | 398°/s | | | | | |

基本尺寸/活动范围 Basic Size/scope Of Activities



因改良等原因,规格及外观有所变更时,不再另行通知,敬请谅解。

No further notice if the specification and appearance are changed due to improvement and other reasons. Thank you for your understanding.

BRTIRWD1606A SIX-AXIS ROBOT 六轴机器人

产品特点

BRTIRWD1606A是一款针对焊接应用行业开发的六轴机器人。机器人的外形结构紧凑，体积小、重量轻、其最大负载6kg，臂展1600mm。腕部采用中空结构，走线更方便、动作更灵活。一二三关节均安装了高精度减速机，四五六关节均采用了高精度齿轮结构，高速的关节速度能进行灵活的作业。

防护等级高: IP54, 防尘防水。

精度高: 重复定位精度±0.05mm。

Product Features

BRTIRWD1606A six-axis robot is developed for welding application industry. The robot is compact in shape, small in size and light in weight. Its maximum load is 6kg and its arm span is 1600mm. Wrist hollow structure, more convenient line, more flexible action. The first, second and third joints are equipped with high-precision reducers, and the fourth, fifth and sixth joints are equipped with high-precision gear structures, so the high-speed joint speed can carry out flexible operations.

The protection grade reaches Ip54.

Dust-proof and water-proof.

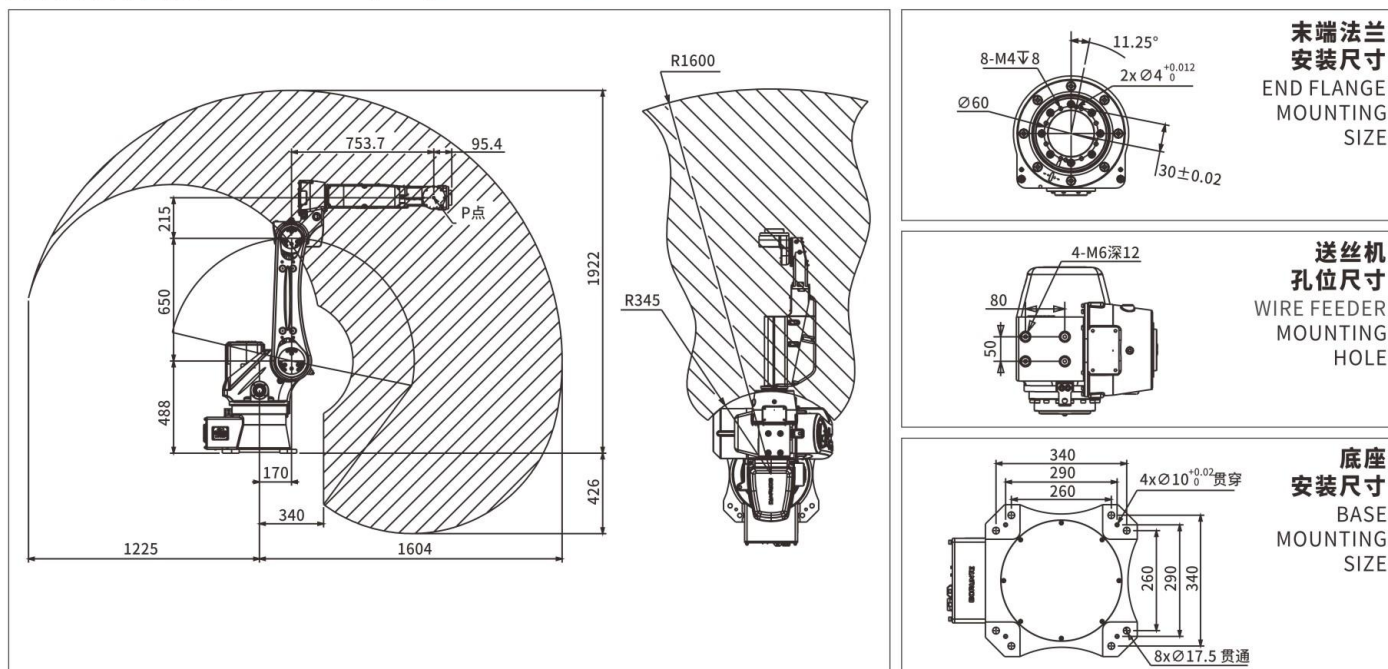
The repeat positioning accuracy is ±0.05mm.



主要规格 Main Specification

| 机型/Model | 项目/Item | 手臂/Arm | | | 手腕/Wrist | | | 臂展(mm) Arm Length | 负载(kg) Loading ability | 重复定位精度(mm) Repeated positioning accuracy | 电源容量(kVA) Power Source | 重量(kg) Weight |
|--------------|-------------------------|--------|----------|--------|----------|------------|--------|----------------------|---------------------------|---|---------------------------|-----------------------|
| | | J1 | J2 | J3 | J4 | J5 | J6 | | | | | |
| BRTIRWD1606A | 范围(°) Range | ±165° | -95/+70° | ±80° | ±155° | -130/+120° | ±360° | 1600 | 6 | ±0.05 | 6.11 | 约157.5 about 157.5 |
| | 最大速度(°/s) Max. speed | 158°/s | 143°/s | 228°/s | 342°/s | 300°/s | 504°/s | | | | | |

基本尺寸/活动范围 Basic Size/scope Of Activities



因改良等原因,规格及外观有所变更时,不再另行通知,敬请谅解。

No further notice if the specification and appearance are changed due to improvement and other reasons. Thank you for your understanding.

BRTIRUS1820A

SIX-AXIS ROBOT 六轴机器人

产品特点

BRTIRUS1820A是罗伯蒂克针对多自由度的复杂应用而开发的六轴机器人,其最大负载可达20kg,拥有1850mm臂展。采用轻量式手臂设计,机械结构紧凑、简洁,在高速运动状态下,能够在狭小工作空间内进行灵活作业,满足柔性化生产需要。具有六个自由度的灵活性,对上下料、注塑、压铸、装配、涂胶、打磨、检测等场景能够随心所欲。适用于注塑机:500T-1300T。

防护等级高:手腕 IP54、本体 IP40。

精度高:重复定位精度±0.05mm。

Product Features

BRTIRUS1820A is a six-axis robot developed by ROBOTIC for complex applications with multiple degrees of freedom. The maximum load is 20kg, the maximum arm length is 1850mm. Lightweight arm design, compact and simple mechanical structure, in the state of high speed movement, can be carried out in a small workspace flexible work, meet the needs of flexible production. It has six degrees of flexibility. Suitable for loading and unloading, injection machine, die casting, assembling, coating industry, polishing, detection etc. It is suitable for injection molding machine range from 500T-1300T.

The protection grade reaches IP54 at the wrist and IP40 at the body.

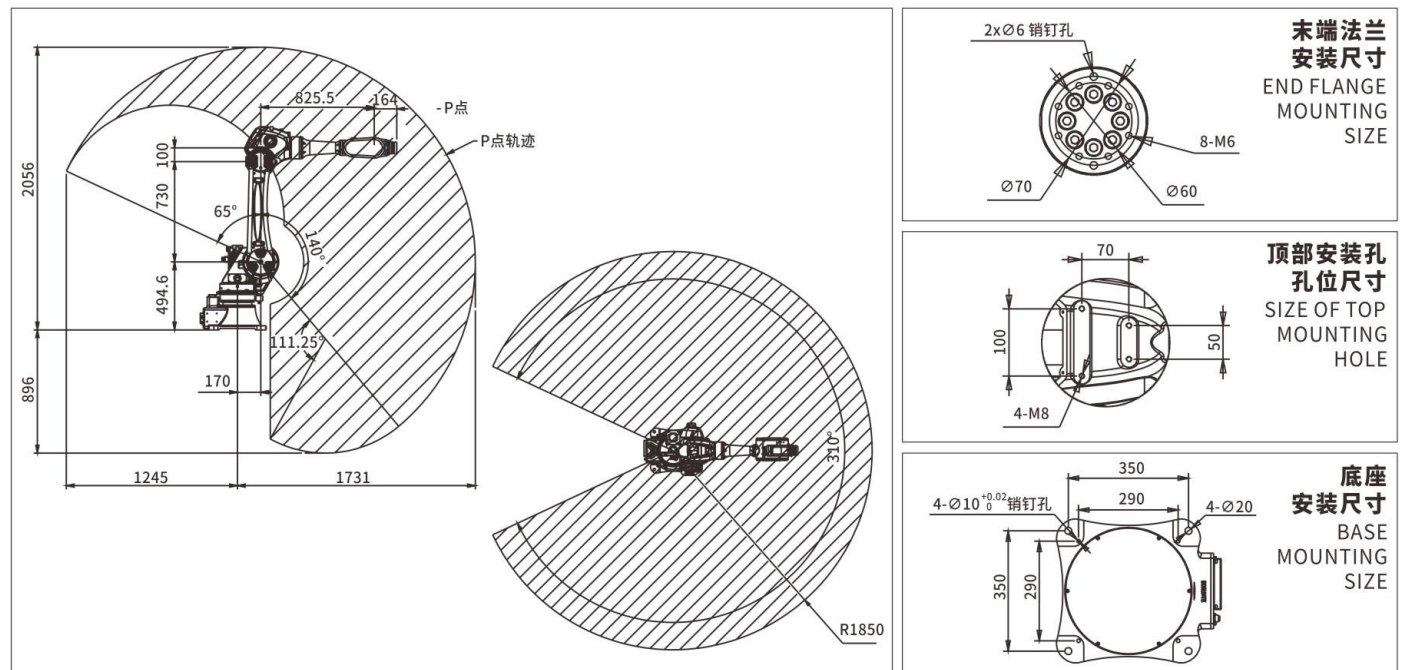
The repeat positioning accuracy is ±0.05mm.



主要规格 Main Specification

| 机型/Model | 项目/Item | 手臂/Arm | | | 手腕/Wrist | | | 臂展(mm) Arm Length | 负载(kg) Loading ability | 重复定位精度(mm) Repeated positioning accuracy | 电源容量(kVA) Power Source | 重量(kg) Weight |
|--------------|------------------------|----------|------------|------------|----------|--------|--------|----------------------|---------------------------|---|---------------------------|-------------------|
| | | J1 | J2 | J3 | J4 | J5 | J6 | | | | | |
| BRTIRUS1820A | 范围(°) Range | ±155° | -140°/+65° | -75°/+110° | ±180° | ±115° | ±360° | 1850 | 20 | ±0.05 | 5.87 | 约230 about 230 |
| | 最大速度(°/s) Max.speed | 110.2°/s | 140.5°/s | 133.9°/s | 272.7°/s | 240°/s | 375°/s | | | | | |

基本尺寸/活动范围 Basic Size/scope Of Activities



因改良等原因,规格及外观有所变更时,不再另行通知,敬请谅解。

No further notice if the specification and appearance are changed due to improvement and other reasons. Thank you for your understanding.

BRTIRUS2110A

SIX-AXIS ROBOT
六轴机器人

产品特点

BRTIRUS2110A是罗伯蒂克针对多自由度的复杂应用而开发的六轴机器人。其拥有2100mm长臂展，最大负载可达10kg。具有六个自由度的灵活性，对焊接、上下料、装配等场景能够应对自如。

防护等级高：手腕IP54、本体 Ip40。

精度高：重复定位精度±0.05mm。



Product Features

BRTIRUS2110A is a six-axis robot developed by ROBOTIC for complex applications with multiple degrees of freedom. The maximum arm length is 2100mm. The maximum load is 10kg. It has six degrees of flexibility. Suitable for welding, loading and unloading, assembling etc.

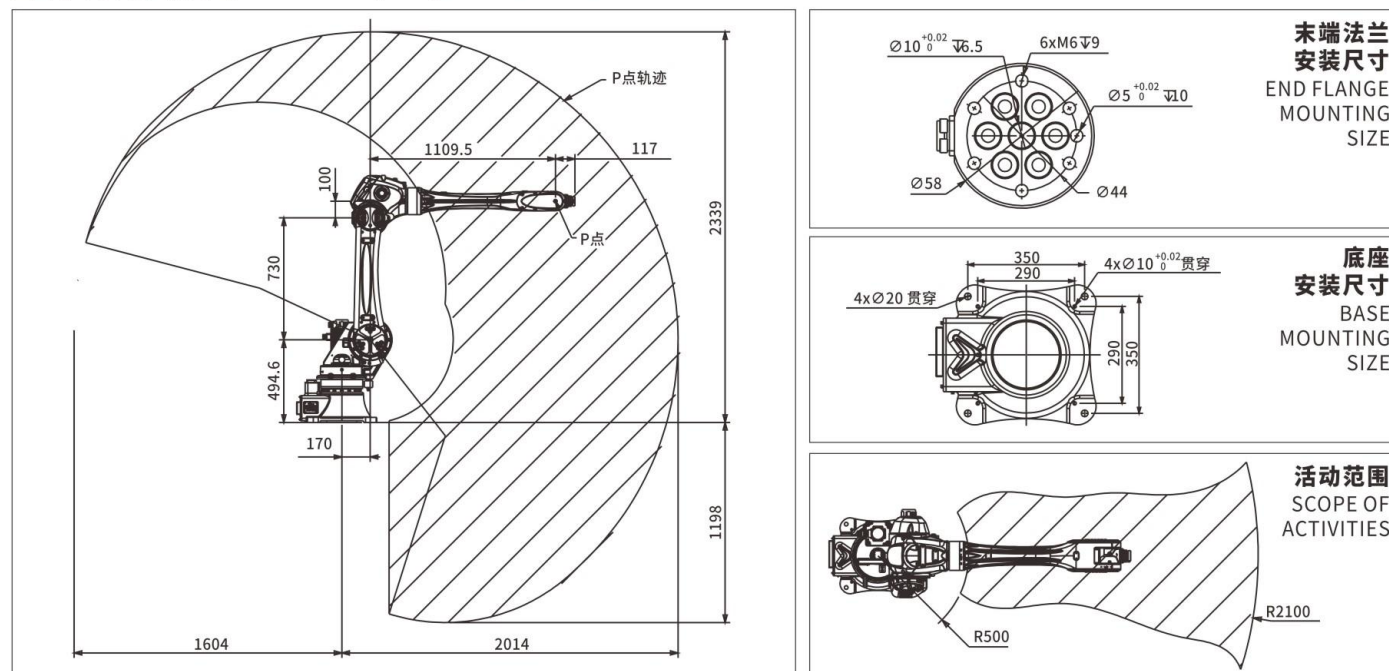
The protection grade reaches IP54 at the wrist and IP40 at the body.

The repeat positioning accuracy is ±0.05mm.

主要规格 Main Specification

| 机型/Model | 项目/Item | 手臂/Arm | | | 手腕/Wrist | | | 臂展 (mm) Arm Length | 负载 (kg) Loading ability | 重复定位精度 (mm) Repeated positioning accuracy | 电源容量 (kVA) Power Source | 重量 (kg) Weight |
|--------------|------------------------|--------|------------------------|------------|----------|--------|--------|-----------------------|----------------------------|--|----------------------------|-------------------|
| | | J1 | J2 | J3 | J4 | J5 | J6 | | | | | |
| BRTIRUS2110A | 范围(°) Range | ±155° | -90°(-140°, 下探可调)/+65° | -75°/+110° | ±180° | ±115° | ±360° | 2100 | 10 | ±0.05 | 6.48 | 约230 about 230 |
| | 最大速度(°/s) Max.speed | 110°/s | 146°/s | 134°/s | 273°/s | 300°/s | 336°/s | | | | | |

基本尺寸/活动范围 Basic Size/scope Of Activities



因改良等原因，规格及外观有所变更时，不再另行通知，敬请谅解。

No further notice if the specification and appearance are changed due to improvement and other reasons. Thank you for your understanding.

BRTIRSE2013A

SIX-AXIS ROBOT 六轴机器人

产品特点

BRTIRSE2013A是罗伯蒂克针对喷涂应用行业开发的六轴机器人,其拥有2000mm超长臂展,最大负载可达13kg。该款机器人结构紧凑、高度灵活和技术先进,可以应用于广泛的喷涂行业、配件搬运领域。

防护等级高:IP65,防尘,防水。

精度高:重复定位精度±0.5mm。

Product Features

BRTIRSE2013A is a six-axis robot developed by ROBOTIC for the spraying applications industry. It has an ultra-long arm span of 2000mm and a maximum load of 13kg. It has a compact structure, is highly flexible and technologically advanced, it can be applied to a wide range of spraying industry and accessories handling field.

The protection grade reaches Ip65.

Dust-proof and water-proof.

The repeat positioning accuracy is ±0.5mm.

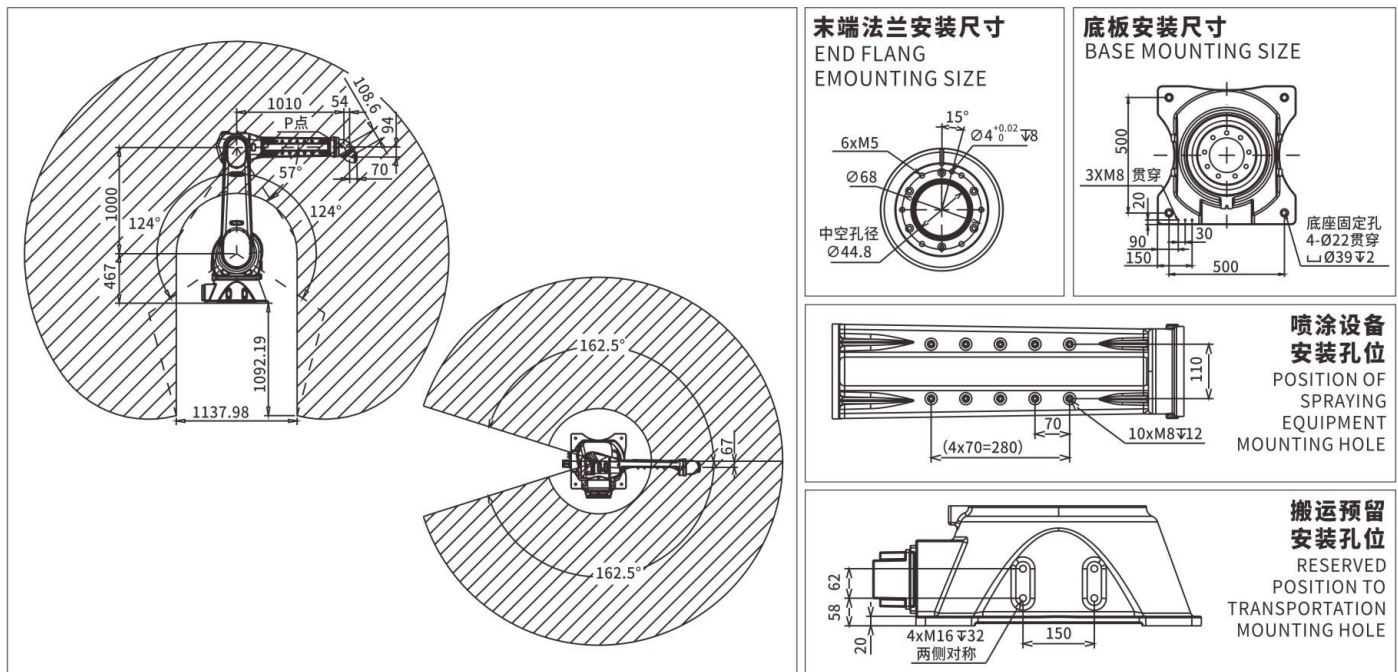


·BRTSE2013AXB·
机型+旋杯雾化器
Robot+rotary cup atomizer

主要规格 Main Specification

| 机型/Model | 项目/Item | 手臂/Arm | | | 手腕/Wrist | | | 臂展(mm) Arm Length | 负载(kg) Loading ability | 重复定位精度(mm) Repeated positioning accuracy | 电源容量(kVA) Power Source | 重量(kg) Weight |
|--------------|------------------------|----------|----------|------------|----------|-----------|-----------|----------------------|---------------------------|---|---------------------------|------------------|
| | | J1 | J2 | J3 | J4 | J5 | J6 | | | | | |
| BRTIRSE2013A | 范围(°) Range | ±162.5° | ±124° | -57°/+237° | ±180° | ±180° | ±360° | 2000 | 13 | ±0.5 | 6.38 | 385 |
| | 最大速度(°/s) Max.speed | 101.4°/s | 105.6°/s | 130.49°/s | 368.4°/s | 415.38°/s | 545.45°/s | | | | | |

基本尺寸/活动范围 Basic Size/scope Of Activities



因改良等原因,规格及外观有所变更时,不再另行通知,敬请谅解。

No further notice if the specification and appearance are changed due to improvement and other reasons. Thank you for your understanding.

BRTIRUS2030A

SIX-AXIS ROBOT
六轴机器人

产品特点

BRTIRUS2030A是罗伯蒂克针对多自由度复杂应用而开发的六轴机器人。其最大负载可达30kg, 拥有2058mm臂展, 六自由度的灵活性对注塑件取件、机床上下料、装配、搬运等场景能够应对自如。

防护等级高:手腕 IP54、本体 Ip40。

精度高:重复定位精度±0.08mm。



Product Features

BRTIRUS2030A is a six-axis robot developed by ROBOTIC for complex applications with multiple degrees of freedom. The maximum load is 30kg and the maximum arm length is 2058mm. The flexibility of six degrees of freedom can be used to handle the scenes such as injection parts taking, machine loading and unloading, assembly and handling.

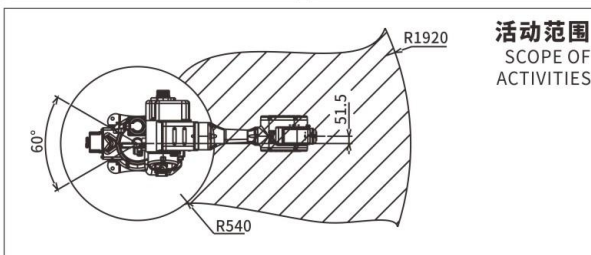
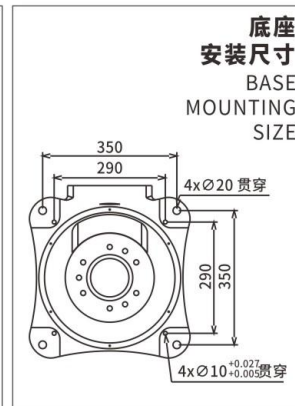
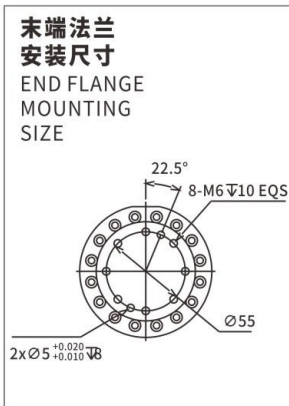
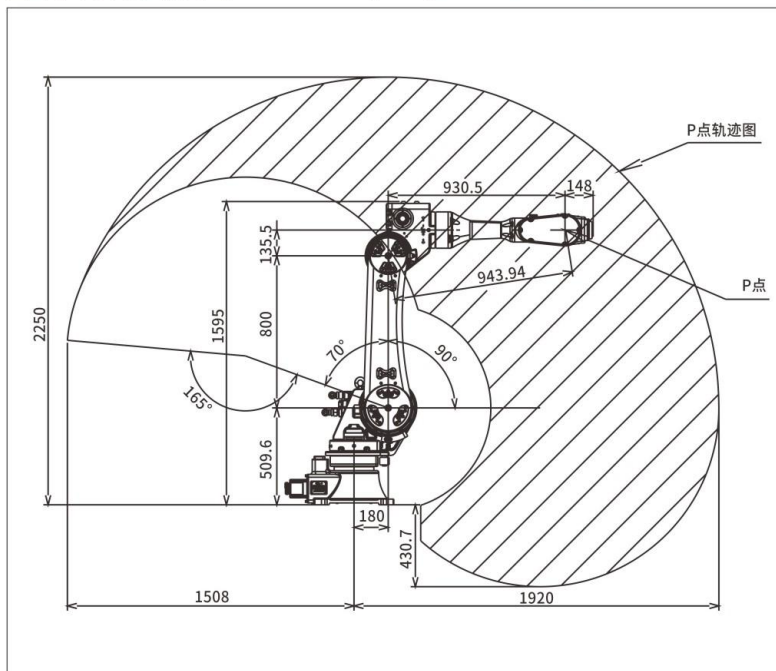
The protection grade reaches IP54 at the wrist and IP40 at the body.

The repeat positioning accuracy is ±0.08mm.

主要规格 Main Specification

| 机型/Model | 项目/Item | 手臂/Arm | | | 手腕/Wrist | | | 臂展(mm) Arm Length | 负载(kg) Loading ability | 重复定位精度(mm) Repeated positioning accuracy | 电源容量(kVA) Power Source | 重量(kg) Weight |
|--------------|------------------------|--------|-----------|------------|----------|--------|--------|----------------------|---------------------------|---|---------------------------|-------------------|
| | | J1 | J2 | J3 | J4 | J5 | J6 | | | | | |
| BRTIRUS2030A | 范围(°) Range | ±150° | -90°/+70° | -55°/+105° | ±180° | ±115° | ±360° | 2058 | 30 | ±0.08 | 6.11 | 约310 about 310 |
| | 最大速度(°/s) Max.speed | 102°/s | 103°/s | 123°/s | 245°/s | 270°/s | 337°/s | | | | | |

基本尺寸/活动范围 Basic Size/scope Of Activities



因改良等原因,规格及外观有所变更时,不再另行通知,敬请谅解。

No further notice if the specification and appearance are changed due to improvement and other reasons. Thank you for your understanding.

BRTIRUS2550A

SIX-AXIS ROBOT 六轴机器人

产品特点

BRTIRUS2550A是罗伯蒂克针对多自由度的复杂应用而开发的一款六轴机器人,其拥有2550mm超长臂展,最大负载可达50kg。具有六个自由度的灵活性,对上下料、装配、注塑等场景能够应对自如。

防护等级高:手腕IP54、本体IP40。

精度高:重复定位精度±0.1mm。

Product Features

BRTIRUS2550A type robot is a six-axis robot that developed by ROBOTIC for some monotonous, frequent and repetitive long-term operations or operations in dangerous and harsh environments. The maximum arm length is 2550mm. The maximum load is 50kg. It has six degrees of flexibility. Suitable for loading and unloading, assembling, molding, stacking etc.

The protection grade reaches IP54 at the wrist and IP40 at the body.

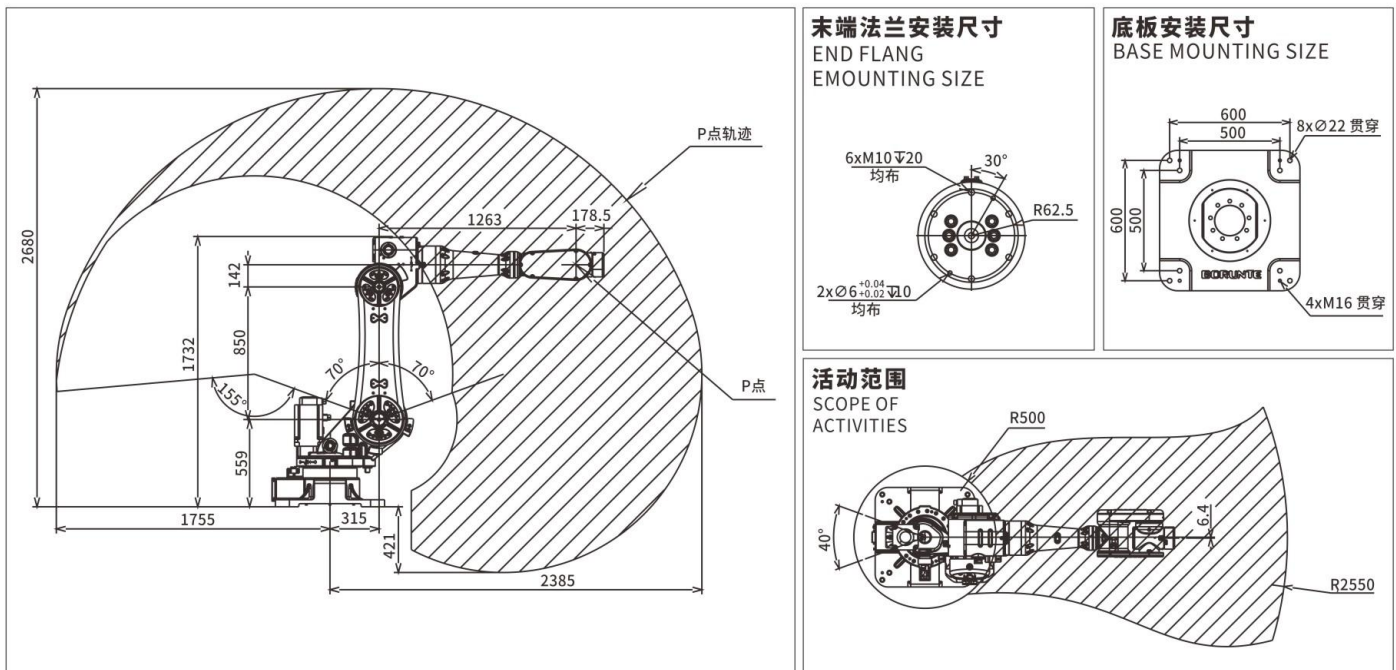
The repeat positioning accuracy is ±0.1mm.



主要规格 Main Specification

| 机型/Model | 项目/Item | 手臂/Arm | | | 手腕/Wrist | | | 臂展 (mm) Arm Length | 负载 (kg) Loading ability | 重复定位精度 (mm) Repeated positioning accuracy | 电源容量 (kVA) Power Source | 重量 (kg) Weight |
|--------------|------------------------|--------|-------|------------|----------|--------|--------|-----------------------|----------------------------|--|----------------------------|-------------------|
| | | J1 | J2 | J3 | J4 | J5 | J6 | | | | | |
| BRTIRUS2550A | 范围(°) Range | ±160° | ±70° | -75°/+115° | ±180° | ±125° | ±360° | 2550 | 50 | ±0.1 | 8.87 | 约725 about 725 |
| | 最大速度(°/s) Max.speed | 84°/s | 52°/s | 52°/s | 245°/s | 223°/s | 223°/s | | | | | |

基本尺寸/活动范围 Basic Size/scope Of Activities



因改良等原因,规格及外观有所变更时,不再另行通知,敬请谅解。

No further notice if the specification and appearance are changed due to improvement and other reasons. Thank you for your understanding.

BRTIRPZ2480A FOUR-AXIS ROBOT 四轴机器人

产品特点

BRTIRPZ2480A 是罗伯蒂克针对某些单调、频繁和重复的长时间作业，或是危险、恶劣环境下的作业等而开发的一款四轴机器人，其拥有2400mm臂展，最大负载可达 80kg。具有多自由度的灵活性，对上下料、搬运、拆垛、码垛等场景能够应对自如。

防护等级高：IP40。

精度高：重复定位精度±0.2mm。

Product Features

BRTIRPZ2480A type robot is a four-axis robot that developed by ROBOTIK for some monotonous, frequent and repetitive long-term operations or operations in dangerous and harsh environments. The maximum arm length is 2400mm. The maximum load is 80kg. It's flexible with multiple degrees of freedom. Suitable for loading and unloading, handling, dismantling and stacking etc.

The protection grade reaches Ip40.

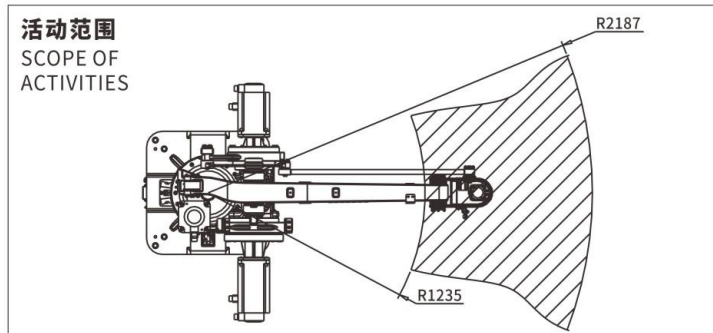
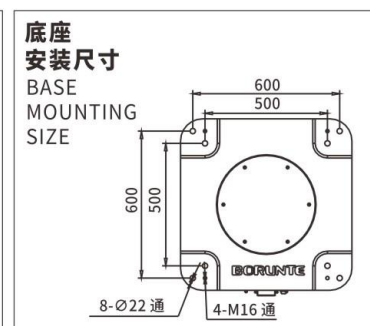
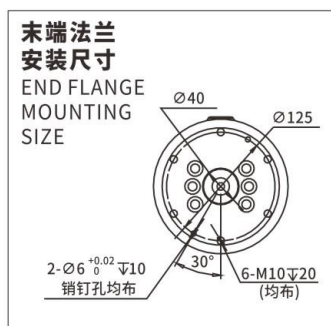
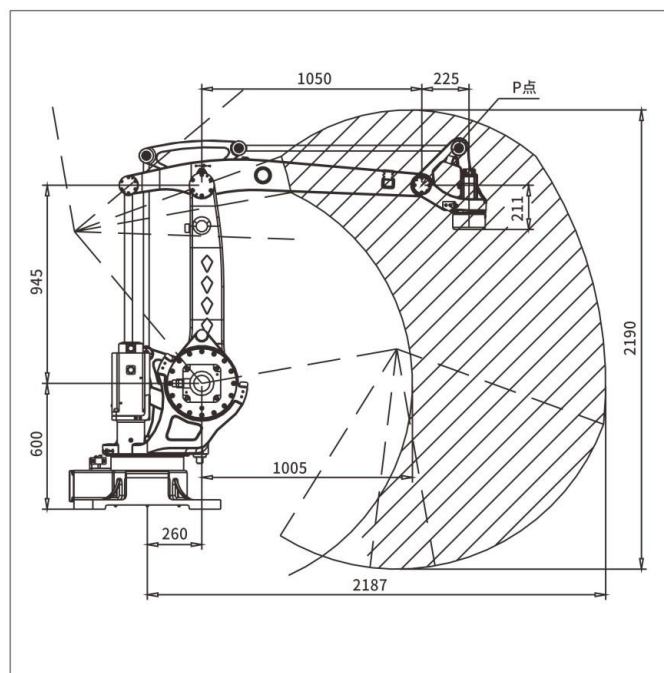
The repeat positioning accuracy is ±0.2mm.



主要规格 Main Specification

| 机型/Model | 项目/Item | 手臂/Arm | | | 手腕/Wrist | | 臂展 (mm) Arm Length | 负载 (kg) Loading ability | 重复定位精度 (mm) Repeated positioning accuracy | 电源容量 (kVA) Power Source | 重量 (kg) Weight |
|--------------|------------------------|--------|-----------|-----------|----------|----------|-----------------------|----------------------------|--|----------------------------|-------------------|
| | | J1 | J2 | J3 | J4 | R34 | | | | | |
| BRTIRPZ2480A | 范围(°) Range | ±160° | -80°/+40° | -42°/+60° | ±360° | 72°-195° | 2400 | 80 | ±0.2 | 5.53 | 约695 about 695 |
| | 最大速度(°/s) Max.speed | 148°/s | 148°/s | 148°/s | 299°/s | / | | | | | |

基本尺寸/活动范围 Basic Size/scope Of Activities



因改良等原因，规格及外观有所变更时，不再另行通知，敬请谅解。

No further notice if the specification and appearance are changed due to improvement and other reasons. Thank you for your understanding.

BRTIRPZ3013A

FOUR-AXIS ROBOT 四轴机器人

产品特点

BRTIRPZ3013A是罗伯蒂克针对某些单调、频繁和重复的长时间作业，或是危险、恶劣环境下的作业等而开发的一款四轴机器人，其拥有3020mm臂展，最大负载可达130kg。具有多自由度的灵活性，对上料、搬运、拆垛、码垛等场景能够应对自如。

防护等级高: IP40。

精度高: 重复定位精度±0.15mm。

Product Features

BRTIRPZ3013A type robot is a four-axis robot that developed by ROBOTIK for some monotonous, frequent and repetitive long-term operations or operations in dangerous and harsh environments. The maximum arm length is 3020mm. The maximum load is 130kg. It's flexible with multiple degrees of freedom. Suitable for loading and unloading, handling, dismantling and stacking etc.

The protection grade reaches Ip40.

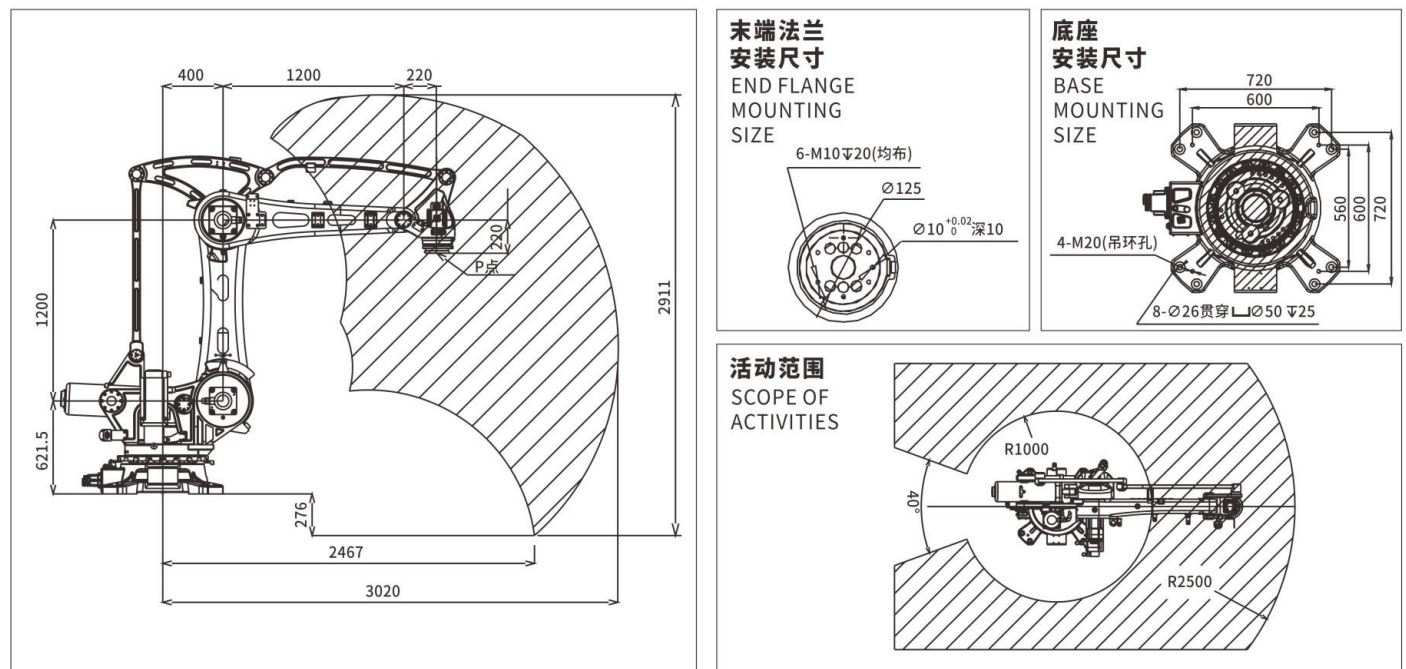
The repeat positioning accuracy is ±0.15mm.



主要规格 Main Specification

| 机型/Model | 项目/Item | 手臂/Arm | | | 手腕/Wrist | | 臂展(mm) Arm Length | 负载(kg) Loading ability | 重复定位精度(mm) Repeated positioning accuracy | 电源容量(kVA) Power Source | 重量(kg) Weight |
|--------------|-------------------------|---------|-----------|-----------|----------|----------|----------------------|---------------------------|---|---------------------------|---------------------|
| | | J1 | J2 | J3 | J4 | R34 | | | | | |
| BRTIRPZ3013A | 范围(°) Range | ±160° | -75°/+30° | -55°/+60° | ±180° | 65°-185° | 3020 | 130 | ±0.15 | 8.23 | 约1200 about 1200 |
| | 最大速度(°/s) Max. speed | 63.8°/s | 53°/s | 53°/s | 200°/s | / | | | | | |

基本尺寸/活动范围 Basic Size/scope Of Activities



因改良等原因，规格及外观有所变更时，不再另行通知，敬请谅解。

No further notice if the specification and appearance are changed due to improvement and other reasons. Thank you for your understanding.

BRTIRUS3511A

SIX-AXIS ROBOT 六轴机器人



产品特点

BRTIRUS3511A是罗伯蒂克针对某些单调、频繁和重复的长时间作业,或是危险、恶劣环境下的作业等而开发的一款六轴机器人,其拥有3500mm臂展,最大负载可达100kg。具有多自由度的灵活性,对上下料、搬运、码垛等场景能够应对自如。

防护等级高:IP40。

精度高:重复定位精度±0.2mm。

Product Features

BRTIRUS3511A type robot is a six-axis robot that developed by ROBOTIC for some monotonous, frequent and repetitive long-term operations or operations in dangerous and harsh environments. The maximum arm length is 3500mm. The maximum load is 100kg.It's flexible with multiple degrees of freedom. Suitable for loading and unloading,handling, stacking etc.

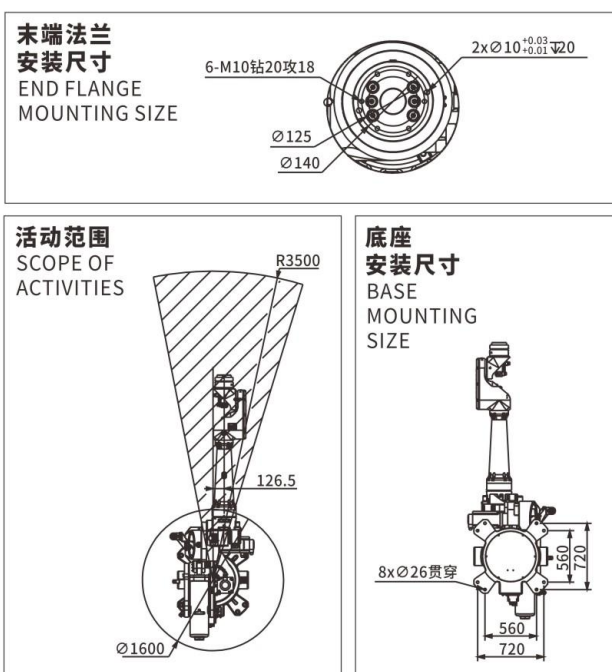
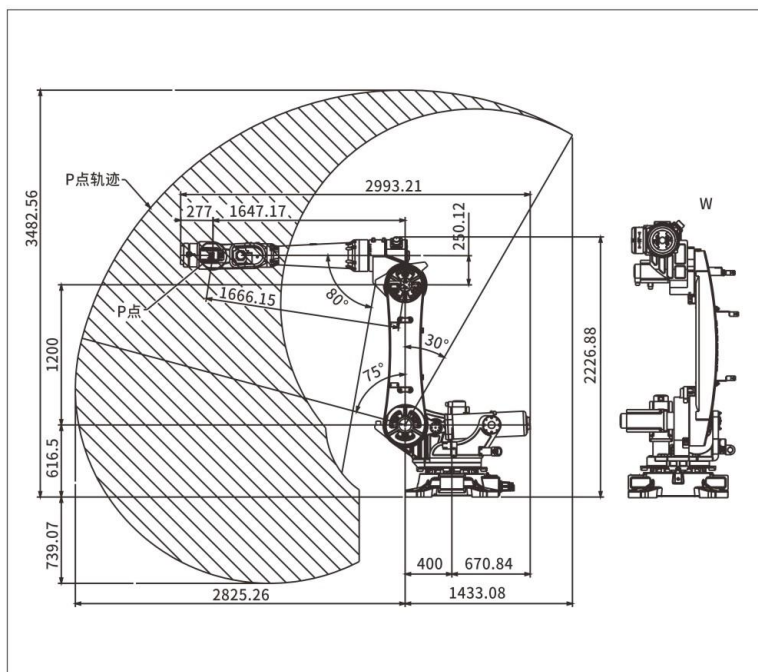
The protection grade reaches IP40 .

The repeat positioning accuracy is ±0.2mm.

主要规格 Main Specification

| 机型/Model | 项目/Item | 手臂/Arm | | | 手腕/Wrist | | | 臂展(mm) Arm Length | 负载(kg) Loading ability | 重复定位精度(mm) Repeated positioning accuracy | 电源容量(kVA) Power Source | 重量(kg) Weight |
|--------------|------------------------|--------|-----------|-----------|----------|-------|--------|----------------------|---------------------------|---|---------------------------|-------------------------|
| | | J1 | J2 | J3 | J4 | J5 | J6 | | | | | |
| BRTIRUS3511A | 范围(°) Range | ±160° | -75°/+30° | -80°/+85° | ±180° | ±95° | ±360° | 3500 | 100 | ±0.2 | 9.71 | 约1187.5 about 1187.5 |
| | 最大速度(°/s) Max.speed | 85°/s | 70°/s | 70°/s | 82°/s | 99°/s | 124°/s | | | | | |

基本尺寸/活动范围 Basic Size/scope Of Activities



因改良等原因,规格及外观有所变更时,不再另行通知,敬请谅解。

No further notice if the specification and appearance are changed due to improvement and other reasons. Thank you for your understanding.

BRTIRUS2520B

SIX-AXIS ROBOT 六轴机器人

产品特点

BRTIRUS2520B是罗伯蒂克针对某些单调、频繁和重复的长时间作业，或是危险、恶劣环境下的作业等而开发的一款六轴机器人，其拥有2570mm臂展，最大负载可达200kg。具有多自由度的灵活性，对上下料、搬运、码垛等场景能够应对自如。

防护等级高:IP40。

精度高:重复定位精度±0.2mm。

Product Features

BRTIRUS2520B type robot is a six-axis robot that developed by ROBOTIC for some monotonous, frequent and repetitive long-term operations or operations in dangerous and harsh environments. The maximum arm length is 2570mm. The maximum load is 200kg. It's flexible with multiple degrees of freedom. Suitable for loading and unloading, handling, stacking etc.

The protection grade reaches Ip40.

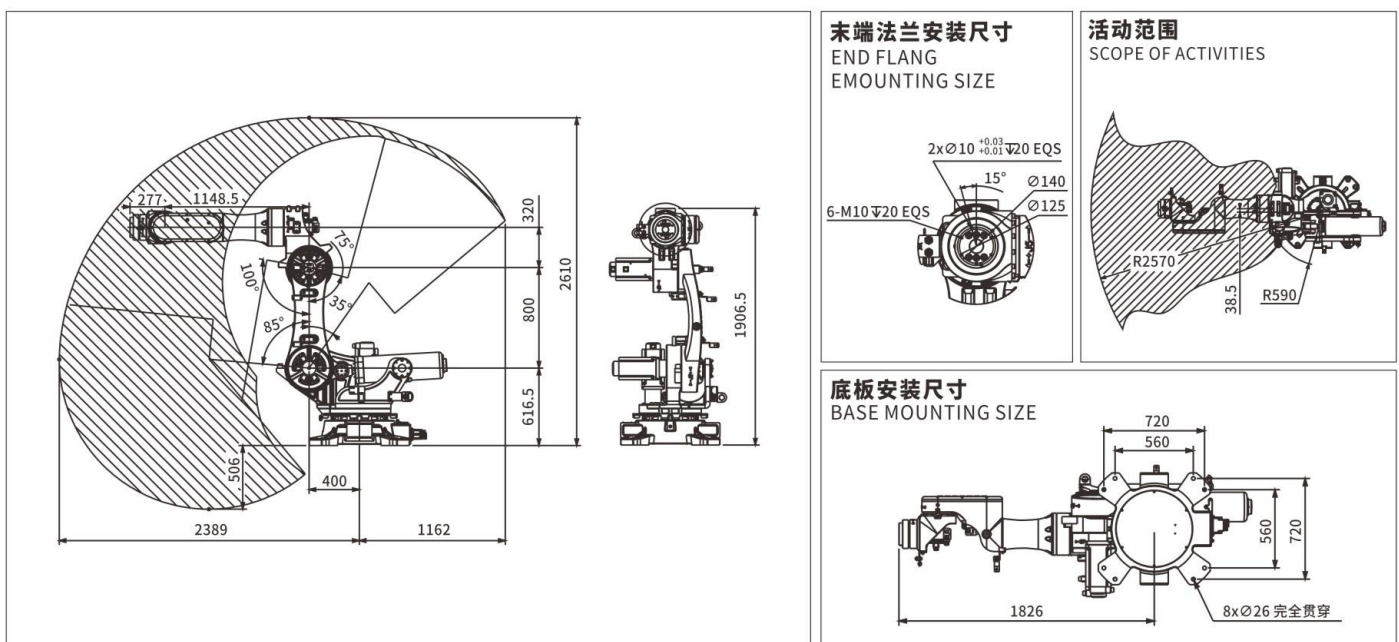
The repeat positioning accuracy is ±0.2mm.



主要规格 Main Specification

| 机型/Model | 项目/Item | 手臂/Arm | | | 手腕/Wrist | | | 臂展(mm) Arm Length | 负载(kg) Loading ability | 重复定位精度(mm) Repeated positioning accuracy | 电源容量(kVA) Power Source | 重量(kg) Weight |
|--------------|------------------------|--------|-----------|------------|----------|--------|--------|----------------------|---------------------------|---|---------------------------|---------------------|
| | | J1 | J2 | J3 | J4 | J5 | J6 | | | | | |
| BRTIRUS2520B | 范围(°) Range | ±160° | -85°/+35° | -80°/+105° | ±180° | ±95° | ±360° | 2570 | 200 | ±0.2 | 9.58 | 约1106 about 1106 |
| | 最大速度(°/s) Max.speed | 63°/s | 52°/s | 52°/s | 94°/s | 101°/s | 133°/s | | | | | |

基本尺寸/活动范围 Basic Size/scope Of Activities



因改良等原因,规格及外观有所变更时,不再另行通知,敬请谅解。

No further notice if the specification and appearance are changed due to improvement and other reasons. Thank you for your understanding.

BRTIRPZ3030B

FOUR-AXIS ROBOT 四轴机器人

产品特点

BRTIRPZ3030B是罗伯蒂克针对某些单调、频繁和重复的长时间作业,或是危险、恶劣环境下的作业等而开发的一款四轴机器人,其拥有2950mm臂展,最大负载可达300kg。具有多自由度的灵活性,对上下料、搬运、拆垛、码垛等场景能够应对自如。

防护等级高:IP40。

精度高:重复定位精度±0.2mm。

Product Features

BRTIRPZ3030B type robot is a four-axis robot that developed by ROBOTIC for some monotonous, frequent and repetitive long-term operations or operations in dangerous and harsh environments. The maximum arm length is 2950mm. The maximum load is 300kg.It's flexible with multiple degrees of freedom. Suitable for loading and unloading, handling,dismantling and stacking etc.

The protection grade reaches Ip40.

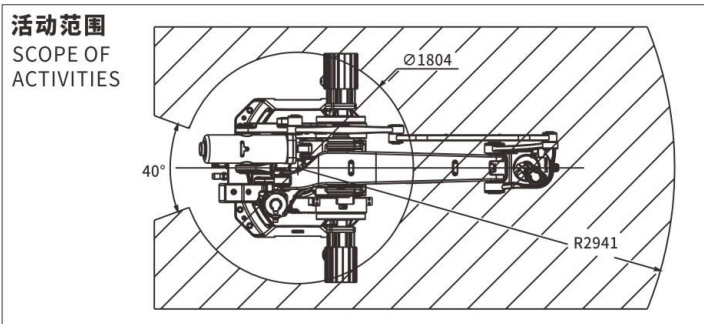
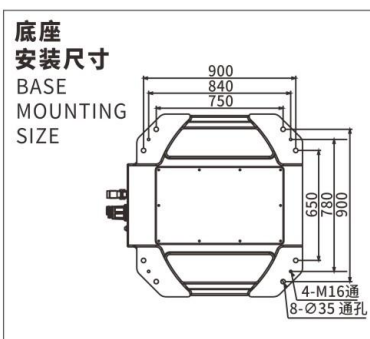
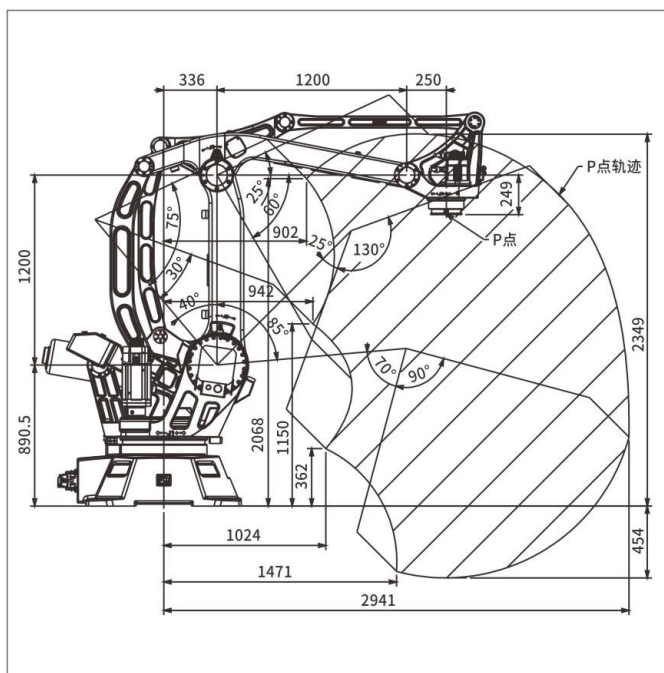
The repeat positioning accuracy is ±0.2mm.



主要规格 Main Specification

| 机型/Model | 项目/Item | 手臂/Arm | | | 手腕/Wrist | | 臂展(mm) Arm Length | 负载(kg) Loading ability | 重复定位精度(mm) Repeated positioning accuracy | 电源容量(kVA) Power Source | 重量(kg) Weight |
|--------------|------------------------|--------|-----------|-----------|----------|----------|----------------------|---------------------------|---|---------------------------|---------------------|
| | | J1 | J2 | J3 | J4 | R34 | | | | | |
| BRTIRPZ3030B | 范围(°) Range | ±160° | -85°/+40° | -60°/+25° | ±360° | 70°-160° | 2950 | 300 | ±0.2 | 24.49 | 约2550 about 2550 |
| | 最大速度(°/s) Max.speed | 53°/s | 56°/s | 56°/s | 136°/s | / | | | | | |

基本尺寸/活动范围 Basic Size/scope Of Activities



因改良等原因,规格及外观有所变更时,不再另行通知,敬请谅解。

No further notice if the specification and appearance are changed due to improvement and other reasons. Thank you for your understanding.

BRTIRPL1203A

FIVE-AXIS ROBOT 五轴机器人

产品特点

BRTIRPL1203A是罗伯蒂克针对轻小散乱物料的装配、分拣等应用场景开发的五轴机器人,可以实现水平抓取,翻转竖直放置,可以搭配视觉,其拥有1200mm臂展,最大负载可达3kg。

防护等级:IP40。

精度高:重复定位精度±0.1mm。

Product Features

BRTIRPL1203A is a five axis robot developed by ROBOTIC for the assembly, sorting and other application scenarios of light and small scattered materials. It can achieve horizontal grasping, flipping and vertical placement, and can be paired with vision. It has a 1200mm arm span and a maximum load of 3kg.

The protection grade reaches Ip40.

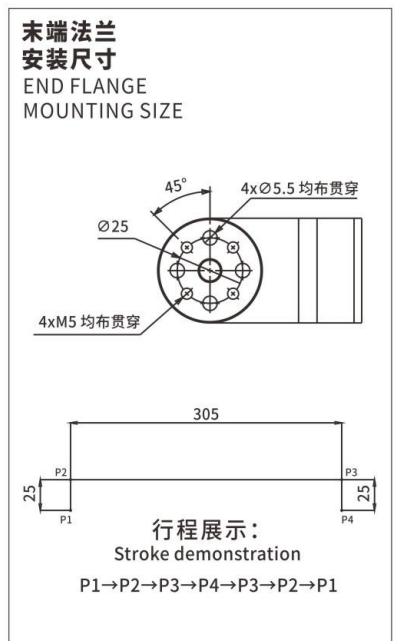
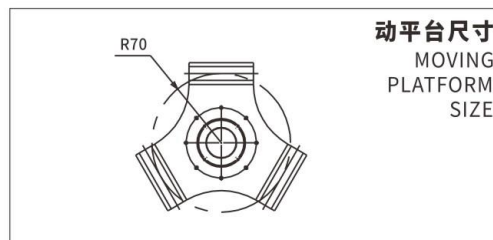
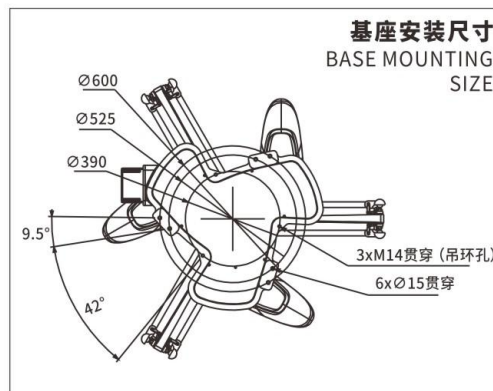
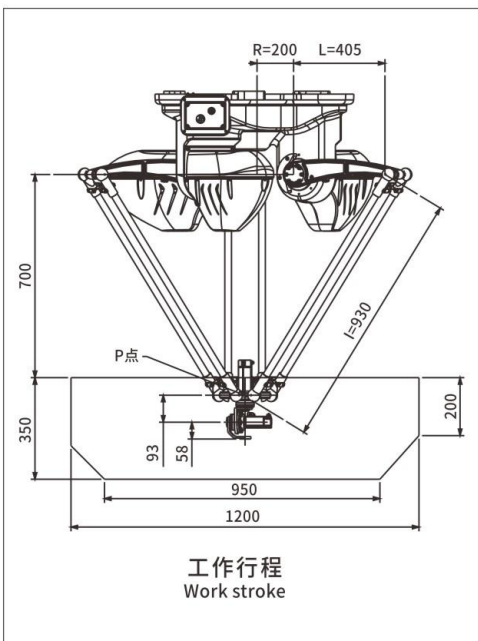
The repeat positioning accuracy is ±0.1mm.



主要规格 Main Specification

| 机型/Model | 项目/Item | 主动臂/Master Arm | | 末端/End | | 臂展(mm) Arm Length | 负载(kg) Loading Ability | 位置重复定位精度 (mm) location repeated positioning accuracy | 角度重复定位精度 (°) Angle repeated positioning accuracy | 允许负载最大转动惯量 (kg.m ²) Maximum allowable moment of inertia of load | 电源电容(kVA) Power Source | 重量(kg) Weight |
|--------------|-------------------------------|--|--------|--------|------|----------------------|---------------------------|---|---|--|---------------------------|------------------|
| | | 上摆/Upper | 下摆/Hem | J4 | J5 | | | | | | | |
| BRTIRPL1203A | 范围(°) Range | 35° | 83° | ±180° | ±90° | 1200 | 3 | ±0.1 | ±0.5 | 0.01 | 3.91 | 约107 about107 |
| | 节拍(次/min) Rhythm(time/min) | 行程:25/305/25(mm) stroke:25/305/25(mm) | | 0kg | 3kg | | | | | | | |

基本尺寸/活动范围 Basic Size/scope Of Activities



因改良等原因,规格及外观有所变更时,不再另行通知,敬请谅解。

No further notice if the specification and appearance are changed due to improvement and other reasons. Thank you for your understanding.

B RTP06ISS0PC B RTP08WSS0PC

SWING-ARM SERVO MANIPULATOR 斜臂机械手

产品特点

B RTP06ISS0PC, B RTP08WSS0PC机型适用于30T-250T的各型卧式射出成型机的成品取出,上下手臂为单截式/双截式,上下引拔、旋出、旋入均采用气压驱动,速度快,高效率;安装机械手可增加产能(10-30%)降低产品的不良率,保障操作人员的安全性,减少人工,精准控制生产量,减少浪费。

Product Features

B RTP06ISS0PC / B RTP08WSS0PC series applies to all types of horizontal injection machines of 30T-250T for take-out products. The up and down arm is a single/double sectional type. The up and down action, drawing part, screwing out, and screwing in of them is driven by air pressure, with high speed and high efficiency. After installing this robot, productivity will be increased by 10-30% and will reduce the defective rate of products, ensure the safety of operators, reduce manpower and accurately control the output to reduce waste.



主要规格 Main Specification

| 机型/Model | 电源容量 (kVA) Power Source | 适用注塑机 (Ton) Recommended I.M.M | 驱动方式 Traverser Driven | 治具形式 Model of EOAT | 横行程 (mm) Traverse Stroke | 引拔行程 (mm) Crosswise Stroke | 上下行程 (mm) Vertical Stroke | 最大荷载 (kg) Max.Loading | 取出时间 (sec) Dry Take Out Time | 全循环时间 (sec) Dry Cycle Time | 放出角度 (Degree) Swing Angle | 空气消耗量 (Nl/cycle) Air Consumption | 定位精度 (mm) Repeatability | 重量 (kg) Weight |
|---------------|----------------------------|----------------------------------|----------------------------|---------------------------------------|-----------------------------|-------------------------------|------------------------------|--------------------------|---------------------------------|-------------------------------|------------------------------|-------------------------------------|----------------------------|-------------------|
| B RTP06ISS0PC | 0.05 | 30T-150T | 气缸驱动 Driven by cylinder | 零吸零抱 Zero suction Zero fixtures | / | 120 | 650 | 2 | 1.6 | 5.5 | 30-90 | 3 | ±0.05 | 36 |
| B RTP08WSS0PC | 1.27 | 150T-250T | 气缸驱动 Driven by cylinder | 零吸零抱 Zero suction Zero fixtures | / | 300 | 850 | 2 | 2 | 6 | 30-90 | 3 | ±0.05 | 60 |

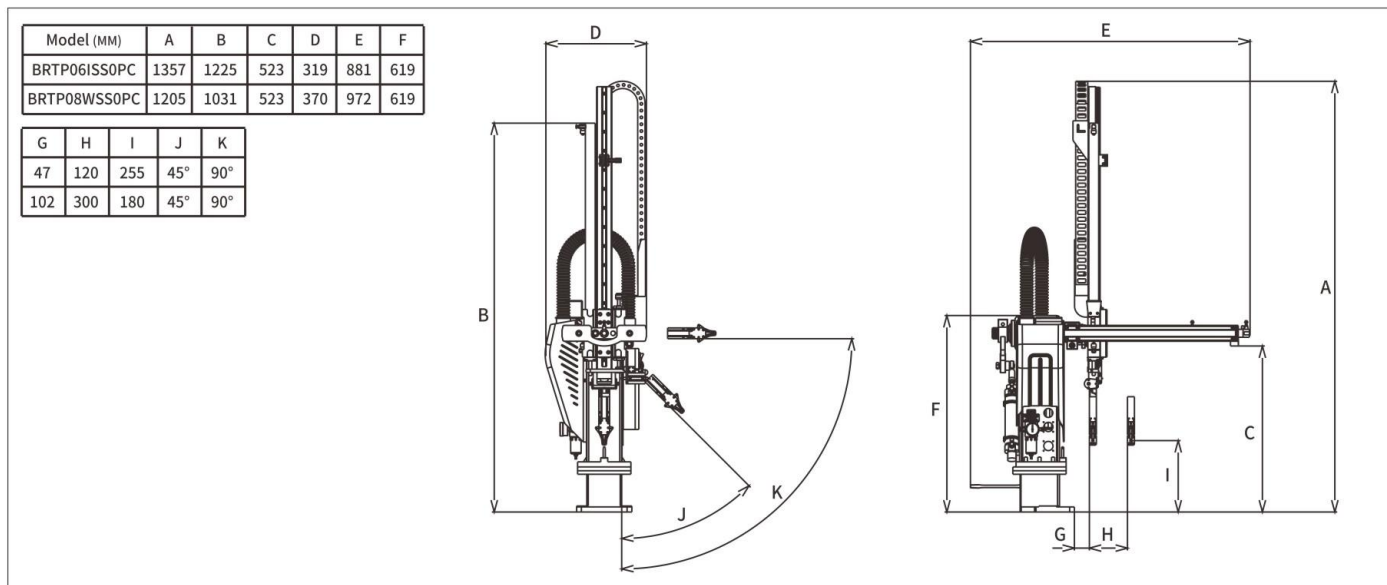
机型表示: I: 单截式 W: 双截式 S: 单臂机械手(成品臂) S0: 气缸驱动

Model representation: I: Single stage. W: Telescopic type. S: Product arm. S0: Driven by cylinder.

上述取物时间, 循环时间为我司内部测试标准测试结果, 在机器实际应用过程中会因实际使用行程, 负载, 调试参数不同而有所变化。

The above-mentioned cycle time are the results of our company's internal test standard. In the actual application process of the machine, they will vary according to the actual operation.

基本尺寸/活动范围 Basic Size/scope Of Activities



因改良等原因, 规格及外观有所变更时, 不再另行通知, 敬请谅解。

No further notice if the specification and appearance are changed due to improvement and other reasons. Thank you for your understanding.

BRTNG09WSS3P/F BRTNG11WSS3P/F

THREE-AXIS SERVO MANIPULATOR 三轴伺服机械手

产品特点

BRTNG09WSS3P/F, BRTNG11WSS3P/F 系列适用于160T-480T的各型塑胶射出成型机, 手臂形式双截式, 单臂, 三轴AC伺服驱动, 取物时间短, 比同类机型更加节省时间, 定位精准, 速度快, 寿命长, 故障低, 安装机械手可增加产能(10-30%), 降低产品的不良率, 保障操作人员的安全性, 减少人工, 精准控制生产量, 减少浪费, 保证交期。

三轴驱动一体控制系统: 信号线少, 远距离通讯, 扩展性能好, 抗干扰能力强, 重复定位精度高, 可以同时控制多轴, 设备维护简单, 故障率低。

Product Features

BRTNG09WSS3P/F, BRTNG11WSS3P/F series apply to all types of horizontal injection machine ranges of 160T-480T for take-out products. The vertical arm is the telescopic type with the product arm. Three-axis AC servo drive saves time than similar models, accurate positioning, and short forming cycle. After installing the manipulator, the productivity will be increased by 10-30% and will reduce the defective rate of products, ensure the safety of operators, reduce manpower and accurately control the output to reduce waste.

Three-axis driver and controller integrated system: fewer signal lines, long-distance communication, good expansion performance, strong anti-interference ability, high accuracy of repeated positioning, can simultaneously control multiple axes simple equipment maintenance, and low failure rate.



主要规格 Main Specification

| 机型/Model | 电源容量 (kVA) Power Source | 适用成型机 (Ton) Recommended I.M.M | 驱动方式 Traverser Driven | 治具形式 Model of EOAT | 横行行程 (mm) Traverse Stroke | 引拔行程 (mm) Crosswise Stroke | 上下行程 (mm) Vertical Stroke | 最大荷载 (kg) Max.Loading | 取出时间 (sec) Dry Take Out Time | 全循环时间 (sec) Dry Cycle Time | 空气消耗量 (NL/cycle) Air Consumption | 定位精度 (mm) Repeatability | 重量 (kg) Weight |
|----------------|----------------------------|----------------------------------|--------------------------|--------------------------------------|------------------------------|-------------------------------|------------------------------|--------------------------|---------------------------------|-------------------------------|-------------------------------------|----------------------------|-------------------|
| BRTNG09WSS3P/F | 3.23 | 160T-380T | AC伺服马达 AC Servo motor | 两吸两抱 Two suctions Two fixtures | 1500 | 600 | 950 | 2 | 0.68 | 4.07 | 3.2 | ±0.05 | 300 |
| BRTNG11WSS3P/F | 5.38 | 250T-480T | AC伺服马达 AC Servo motor | 两吸两抱 Two suctions Two fixtures | 1700 | 700 | 1150 | 2 | 0.68 | 4.07 | 3.2 | ±0.05 | 330 |

机型表示: W: 双截式 S: 单臂机械手 (成品臂) S3: 三轴AC伺服马达驱动 (成品臂上下、引拔+横行)

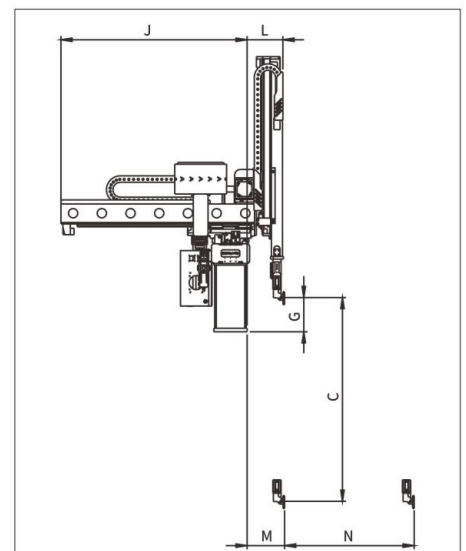
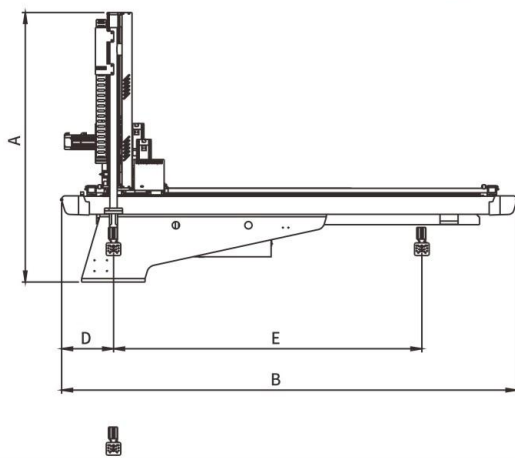
Model representation: W: Telescopic stage. S: Product arm S3: Three-axis driven by AC Servo Motor (Traverse-axis, Vertical-axis+Crosswise-axis)

上述取物时间, 循环时间为我司内部测试标准测试结果, 在机器实际应用过程中会因实际使用行程, 负载, 调试参数不同而有所变化。

The above-mentioned cycle time are the results of our company's internal test standard. In the actual application process of the machine, they will vary according to the actual operation.

基本尺寸/活动范围 Basic Size/scope Of Activities

| Model (MM) | A | B | C | D | E | F | G | H | I | J | K | L | M | N |
|----------------|------|--------|------|-----|------|---|-----|---|---|------|---|-------|-------|-----|
| BRTNG09WSS3P/F | 1362 | 2275.5 | 950 | 298 | 1500 | / | 219 | / | / | 916 | / | 234.5 | 237.5 | 600 |
| BRTNG11WSS3P/F | 1482 | 2514.5 | 1150 | 298 | 1700 | / | 219 | / | / | 1031 | / | 240 | 242 | 700 |



因改良等原因, 规格及外观有所变更时, 不再另行通知, 敬请谅解。

No further notice if the specification and appearance are changed due to improvement and other reasons. Thank you for your understanding.

BRTR09WDS5P0/F0 BRTR13WDS5PC/FC BRTR17WDS5PC/FC

FIVE-AXIS SERVO MANIPULATOR 五轴伺服机械手

产品特点

BRTR09WDS5P0/F0, BRTR13WDS5PC/FC, BRTR17WDS5PC/FC系列适用于160T-1200T的各种卧式射出成型机的成品及水口取出, 手臂形式双截式, 双臂, 五轴AC伺服驱动, 可以应用于快速取出或模内贴, 模内镶件等特殊产品应用, 定位精准, 速度快, 寿命长, 故障低, 安装机械手可增加产能(10-30%), 降低产品的不良率, 保障操作人员的安全性, 减少人工, 精准控制生产量, 减少浪费, 保证交期。

五轴驱动一体控制系统: 信号线少, 远距离通讯, 扩展性能好, 抗干扰能力强, 重复定位精度高, 可以同时控制多轴, 设备维护简单, 故障率低。

Product Features

BRTR09WDS5P0/F0, BRTR13WDS5PC/FC, BRTR17WDS5PC/FC series applies to all types of horizontal injection machine ranges of 160T-1200T for take-out products and sprue. The vertical arm is the telescopic stage with the product arm. Five-axis AC servo drive, also suitable for in-mold labeling and in-mold inserting application. After installing the manipulator, the productivity will be increased by 10-30% and will reduce the defective rate of products, ensure the safety of operators, reduce manpower and accurately control the output to reduce waste.

Five-axis driver and controller integrated system: fewer signal lines, long-distance communication, good expansion performance, strong anti-interference ability, high accuracy of repeated positioning, can simultaneously control multiple axes, simple equipment maintenance, and low failure rate.



主要规格 Main Specification

| 机型/Model | 电源容量 (kVA) Power Source | 适用成型机 (Ton) Recommended I.M.M | 驱动方式 Traverser Driven | 治具形式 Model of EOAT | 横行程 (mm) Traverse Stroke | 引拔行程 (mm) Crosswise Stroke | 上下行程 (mm) Vertical Stroke | 最大荷载 (kg) Max.Loading | 取出时间 (sec) Dry Take Out Time | 全循环时间 (sec) Dry Cycle Time | 空气消耗量 (Nl/cycle) Air Consumption | 定位精度 (mm) Repeatability | 重量 (kg) Weight |
|-----------------|----------------------------|----------------------------------|--------------------------|--------------------------------------|-----------------------------|-------------------------------|------------------------------|--------------------------|---------------------------------|-------------------------------|-------------------------------------|----------------------------|-------------------|
| BRTR09WDS5P0/F0 | 2.91 | 160T-320T | AC伺服马达 AC Servo motor | 四吸两抱 Four suction Two fixtures | 1500 | P:520 R:520 | 950 | 8 | 1.5 | 5.61 | 4 | ±0.05 | 246 |
| BRTR13WDS5PC/FC | 3.76 | 360T-700T | AC伺服马达 AC Servo motor | 四吸两抱 Four suction Two fixtures | 1800 | P:800 R:800 | 1350 | 10 | 2.67 | 8.66 | 6.8 | ±0.05 | 450 |
| BRTR17WDS5PC/FC | 3.67 | 750T-1200T | AC伺服马达 AC Servo motor | 四吸两抱 Four suction Two fixtures | 2500 | P:920 R:920 | 1700 | 15 | 3.72 | 12.72 | 15 | ±0.05 | 800 |

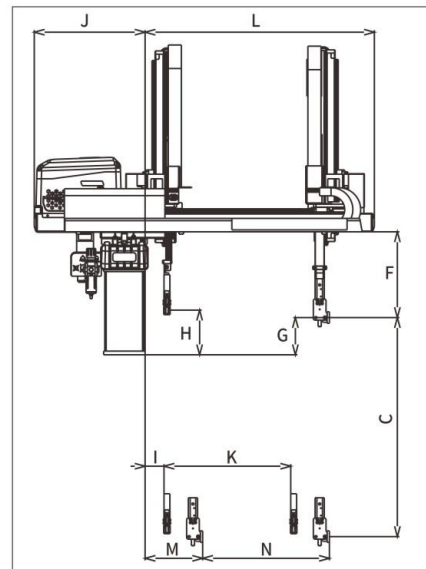
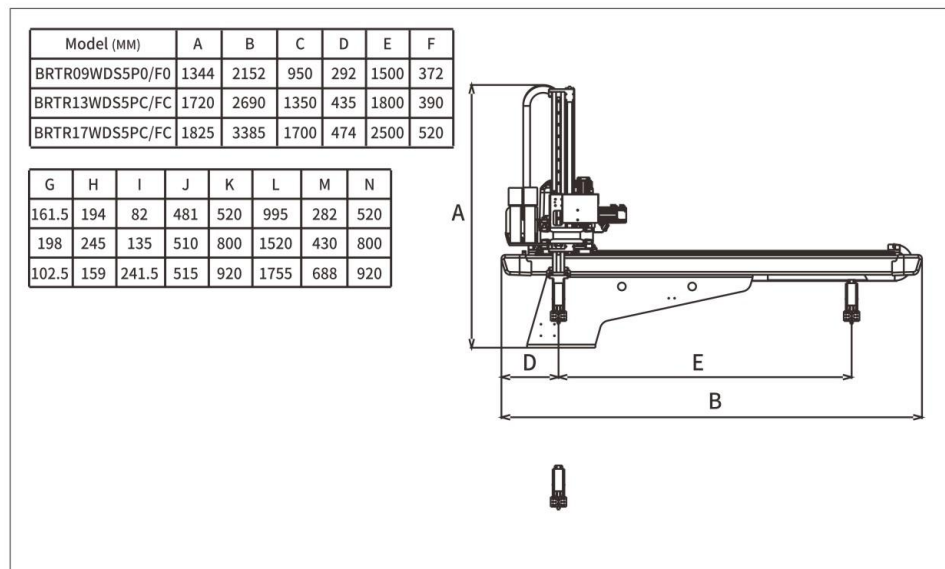
机型表示: W:双截式 D:双臂机械手(成品臂+料头臂) S5:五轴AC伺服马达驱动(成品臂/料头臂上下、引拔+横行)

Model representation: W:Telescopic type D:Product arm +runner arm. S5:Five-axis driven by AC Servo Motor(Traverse-axis, Vertical-axis+Crosswise-axis).

上述取物时间, 循环时间为我司内部测试标准测试结果, 在机器实际应用过程中会因实际使用行程, 负载, 调试参数不同而有所变化。

The above-mentioned cycle time are the results of our company's internal test standard. In the actual application process of the machine, they will vary according to the actual operation.

基本尺寸/活动范围 Basic Size/scope Of Activities



因改良等原因, 规格及外观有所变更时, 不再另行通知, 敬请谅解。

No further notice if the specification and appearance are changed due to improvement and other reasons. Thank you for your understanding.

BRTNN11WSS3P/F BRTNN15WSS4P/F BRTNN15WSS5P/F

THREE/FOUR/FIVE-AXIS SERVO MANIPULATOR 三/四/五轴伺服机械手

产品特点

BRTNN11WSS3P/F, BRTNN15WSS4P/F, BRTNN15WSS5P/F系列适用于 250T-800T 的各种型塑胶射出成型机, 手臂形式双截式, 单臂, 三/四轴 AC 伺服驱动。四轴标配 C 伺服驱动轴, C 轴旋转角 90°; 定位精准, 速度快, 寿命长, 故障率低, 安装机械手可增加产能 (10-30%), 降低产品的不良率, 保障操作人员的安全性, 减少人工, 精准控制生产量, 减少浪费, 保证交期。

三/四轴驱动一体控制系统: 信号线少, 远距离通讯, 扩展性能好, 抗干扰能力强, 重复定位精度高, 可以同时控制多轴, 设备维护简单, 故障率低。

Product Features

BRTNN11WSS3P/F, BRTNN15WSS4P/F, BRTNN15WSS5P/F series applies to all types of horizontal injection machine ranges of 250T-800T for take-out products. The vertical arm is the telescopic type with the product arm. Three/four axis AC servo drive, four axis with a C-servo axis on the wrist, the rotation angle of the C-axis: 90°, saves time than similar models, accurate positioning, and short forming cycle. After installing this robot, the productivity will be increased by 10-30% will reduce the defective rate of products, ensure the safety of operators, reduce manpower and accurately control the output to reduce waste.

Three/four axis driver and controller integrated system: fewer signal lines, long-distance communication, good expansion performance, strong anti-interference ability, high accuracy of repeated positioning, can simultaneously control multiple axes, simple equipment maintenance, and low failure rate.



BRTNN15WSS4P/F

BRTNN15WSS5P/F



BRTNN11WSS3P/F

主要规格 Main Specification

| 机型/Model | 电源容量 (kVA) Power Source | 适用成型机 (Ton) Recommended I.M.M | 驱动方式 Traverser Driven | 治具形式 Model of EOAT | 横行行程 (mm) Traverse Stroke | 引拔行程 (mm) Crosswise Stroke | 上下行程 (mm) Vertical Stroke | 最大荷载 (kg) Max.Loading | 取出时间 (sec) Dry Take Out Time | 全循环时间 (sec) Dry Cycle Time | 空气消耗量 (NL/cycle) Air Consumption | 定位精度 (mm) Repeatability | 重量 (kg) Weight |
|----------------|----------------------------|----------------------------------|-----------------------------|-------------------------------------|------------------------------|-------------------------------|------------------------------|--------------------------|---------------------------------|-------------------------------|-------------------------------------|----------------------------|-------------------|
| BRTNN11WSS3P/F | 2.59 | 250T-480T | AC伺服马达 AC Servo motor | 两吸两抱 Two suction Two fixtures | 1700 | 700 | 1100 | 10 | 1.63 | 6.15 | 3.2 | ±0.05 | 261 |
| BRTNN15WSS4P/F | 3.18 | 470T-800T | AC伺服马达 AC Servo motor | 两吸两抱 Two suction Two fixtures | 2260 | 900 | 1500 | 15 | 2.74 | 9.03 | 3.2 | ±0.1 | 500 |
| BRTNN15WSS5P/F | 3.23 | 470T-800T | AC伺服马达 AC Servo motor | 两吸两抱 Two suction Two fixtures | 2260 | 900 | 1500 | 15 | 3.73 | 11.23 | 3.2 | ±0.1 | 500 |

机型表示: W: 双截式 S: 单臂机械手 (成品臂) S3: 三轴AC伺服马达驱动 (成品臂上下、引拔+横行) S4: 四轴AC伺服马达驱动 (成品臂上下、C轴、引拔+横行)

Model representation: W: Telescopic stage. S: Product arm S3: Three-axis driven by AC Servo Motor (Traverse-axis, Vertical-axis+Crosswise-axis)

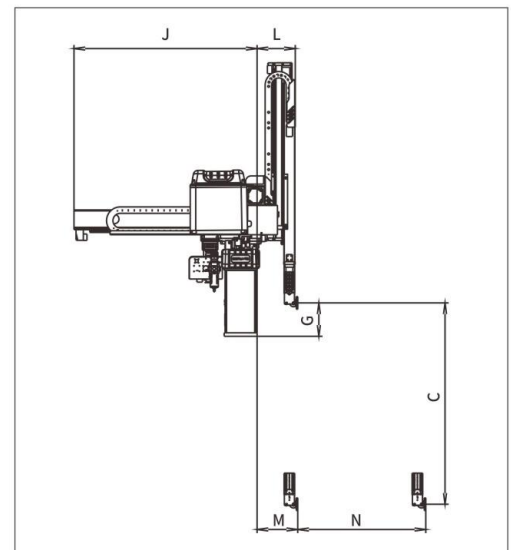
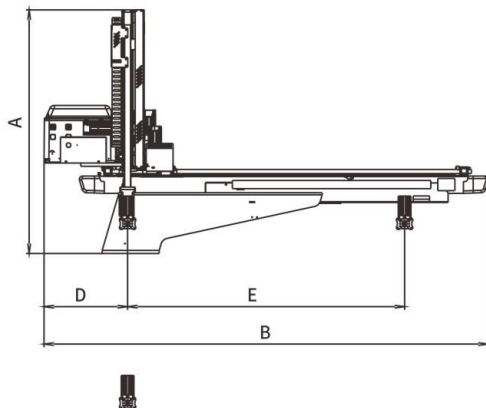
S4: Four-axis driven by AC Servo Motor (Traverse-axis, C-axis, Vertical-axis+Crosswise-axis)

上述取物时间, 循环时间为我司内部测试标准测试结果, 在机器实际应用过程中会因实际使用行程, 负载, 调试参数不同而有所变化。

The above-mentioned cycle time are the results of our company's internal test standard. In the actual application process of the machine, they will vary according to the actual operation.

基本尺寸/活动范围 Basic Size/scope Of Activities

| Model (mm) | A | B | C | D | E | F | G | H | I | J | K | L | M | N |
|----------------|------|------|------|-------|------|---|-----|---|---|--------|---|-------|-----|-----|
| BRTNN11WSS3P/F | 1495 | 2727 | 1100 | 513 | 1700 | / | 141 | / | / | 1002 | / | 208 | 222 | 700 |
| BRTNN15WSS4P/F | 1814 | 3270 | 1500 | 498.5 | 2260 | / | 246 | / | / | 1259.5 | / | 367.5 | 417 | 900 |
| BRTNN15WSS5P/F | 1831 | 3270 | 1500 | 500 | 2260 | / | 190 | / | / | 1254 | / | 373 | 450 | 900 |



因改良等原因, 规格及外观有所变更时, 不再另行通知, 敬请谅解。

No further notice if the specification and appearance are changed due to improvement and other reasons. Thank you for your understanding.

BRTN17WSS5PC/FC

FIVE-AXIS SERVO MANIPULATOR 五轴伺服机械手

产品特点

BRTN17WSS5PC/FC 系列适用于 600T-1300T 的各种型塑胶射出成型机, 五轴 AC 伺服驱动, 标配 AC 伺服驱动轴, A 轴旋转角 360°, C 轴旋转角 180°, 可自由定位调整夹具角度。两者寿命长, 精度高, 故障率低, 维护简单, 主要用于快速取出或是复杂角度取出应用, 特别是长形状产品如汽车用品, 洗衣机等家电用品。

五轴驱动一体控制系统: 信号线少, 远距离通讯, 扩展性能好, 抗干扰能力强, 重复定位精度高, 可以同时控制多轴, 设备维护简单, 故障率少。

Product Features

BRTN17WSS5PC/FC series applies to various types of 600T-1300T plastic injection molding machines, five-axis AC servo drive, with AC servo axis on the wrist. The rotation angle of the A-axis: 360°, and the rotation angle of the C-axis: 180°, which can locate and adjust the angle of the fixture freely Both have a long life, high accuracy, low failure rate, and simple maintenance. It is mainly used for quick injection or complex angle injection, especially suitable for long shape products such as automotive products, washing machines, and household appliances.

Five-axis driver and controller integrated system: fewer signal lines, long-distance communication, good expansion performance, strong anti-interference ability, high accuracy of repeated positioning, can simultaneously control multiple axes, simple equipment maintenance, and low failure rate.



主要规格 Main Specification

| 机型/Model | 电源容量 (kVA) Power Source | 适用成型机 (Ton) Recommended I.M.M | 驱动方式 Traverser Driven | 治具形式 Model of EOAT | 横行行程 (mm) Traverse Stroke | 引拔行程 (mm) Crosswise Stroke | 上下行程 (mm) Vertical Stroke | 最大荷载 (kg) Max.Loading | 取出时间 (sec) Dry Take Out Time | 全循环时间 (sec) Dry Cycle Time | 空气消耗量 (NI/cycle) Air Consumption | 定位精度 (mm) Repeatability | 重量 (kg) Weight |
|-----------------|----------------------------|----------------------------------|--------------------------|---------------------------------------|------------------------------|-------------------------------|------------------------------|--------------------------|---------------------------------|-------------------------------|-------------------------------------|----------------------------|-------------------|
| BRTN17WSS5PC/FC | 4.23 | 600T-1300T | AC伺服马达 AC Servo motor | 四吸两抱 Four suctions Two fixtures | 2510 | 1415 | 1700 | 20 | 4.45 | 13.32 | 47 | ±0.1 | 585 |

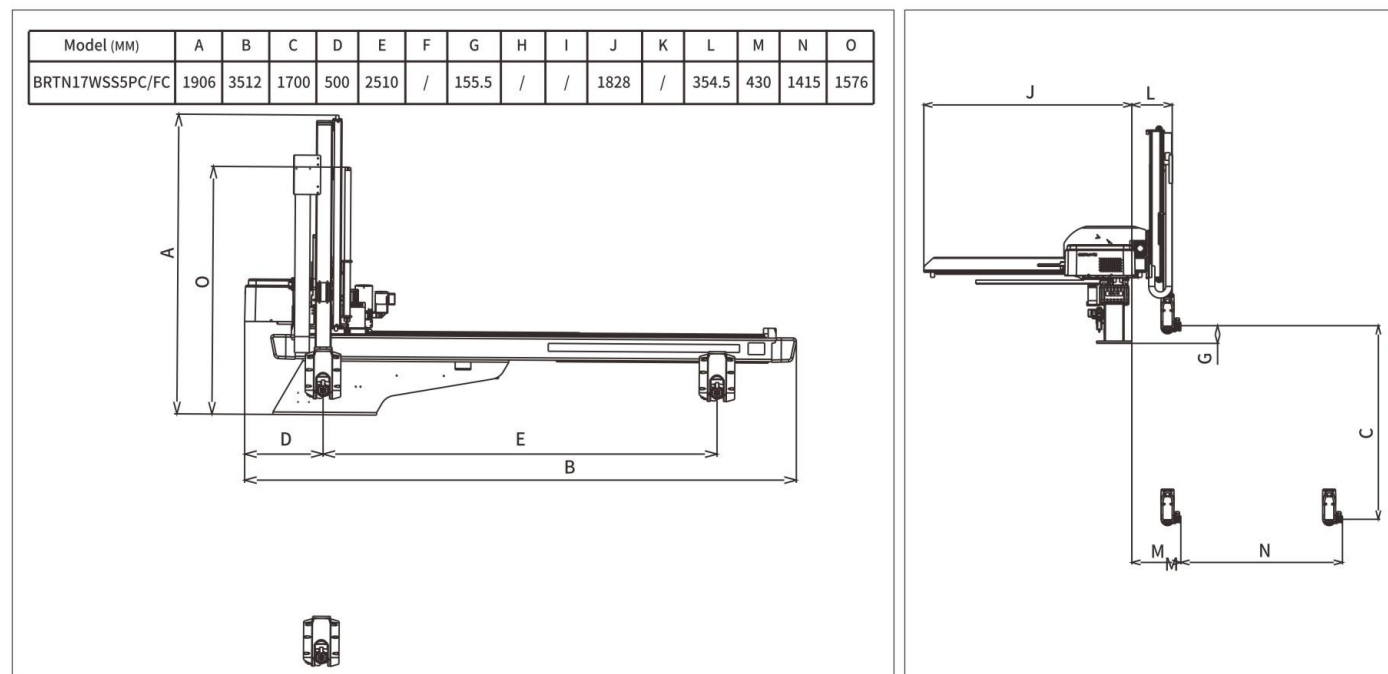
机型表示: W: 双截式 S: 单臂机械手 (成品臂) S5: 五轴AC伺服马达驱动 (成品臂上下、AC轴、引拔+横行)

Model representation: W: Telescopic type. S: Product arm. S5: Five-axis driven by AC Servo Motor (Traverse-axis, Vertical-axis + Crosswise-axis).

上述取物时间, 循环时间为我司内部测试标准测试结果, 在机器实际应用过程中会因实际使用行程, 负载, 调试参数不同而有所变化。

The above-mentioned cycle time are the results of our company's internal test standard. In the actual application process of the machine, they will vary according to the actual operation.

基本尺寸/活动范围 Basic Size/scope Of Activities



因改良等原因, 规格及外观有所变更时, 不再另行通知, 敬请谅解。

No further notice if the specification and appearance are changed due to improvement and other reasons. Thank you for your understanding.

BRTN24WSS5PC/FC BRTN30WSS5PC/FC BRTN30WSS5PF/FF

FIVE-AXIS SERVO MANIPULATOR 五轴伺服机械手

产品特点

BRTN24WSS5PC/FC, BRTN30WSS5PC/FC, BRTN30WSS5PF/FF系列适用于1300T-4000T的各种型塑胶射出成型机, 五轴AC伺服驱动, 标配AC伺服驱动轴, A轴旋转角360°, C轴旋转角180°, 可自由定位调整夹具角度, 寿命长, 精度高, 故障率低, 维护简单, 主要用于快速取出或是复杂角度取出应用, 特别是长形状产品如汽车产品, 洗衣机家电产品。

五轴驱动一体控制系统: 信号线少, 远距离通讯, 扩展性能好, 抗干扰能力强, 重复定位精度高, 可以同时控制多轴, 设备维护简单, 故障率少。

Product Features

BRTN24WSS5PC/FC, BRTN30WSS5PC/FC, BRTN30WSS5PF/FF is suitable for all types of 1300T-4000T plastic injection molding machines, five-axis AC servo drive, with AC servo axis on the wrist, the rotation angle of the A-axis:360°, and the rotation angle of the C-axis:180°. It can adjust fixtures freely, with long service life, high accuracy, low failure rate, and simple maintenance. It is mainly used for quick injection or complex angle injection. Especially suitable for long shape products such as automotive products, washing machines, and household appliances.

Five-axis driver and controller integrated system: fewer signal lines, long-distance communication, good expansion performance, strong anti-interference ability, high accuracy of repeated positioning, can simultaneously control multiple axes, simple equipment maintenance, and low failure rate.



主要规格 Main Specification

| 机型/Model | 电源容量 (kVA) Power Source | 适用成型机 (Ton) Recommended I.M.M | 驱动方式 Traverser Driven | 治具形式 Model of EOAT | 横行行程 (mm) Traverse Stroke | 引拔行程 (mm) Crosswise Stroke | 上下行程 (mm) Vertical Stroke | 最大荷载 (kg) Max.Loading | 取出时间 (sec) Dry Take Out Time | 全循环时间 (sec) Dry Cycle Time | 空气消耗量 (Nl/cycle) Air Consumption | 定位精度 (mm) Repeatability | 重量 (kg) Weight |
|-----------------|----------------------------|----------------------------------|-----------------------------|--|--|-------------------------------|------------------------------|--------------------------|------------------------------------|-------------------------------|-------------------------------------|----------------------------|--------------------|
| BRTN24WSS5PC/FC | 5.87 | 1300T-2100T | AC伺服马达 AC Servo motor | 四吸两抱 Four suctions Two fixtures | 3200 | 2000 | 2400 | 40 | 6.69 | 21.4 | 15 | ±0.05 | 1550 |
| BRTN30WSS5PC/FC | 6.11 | 2200T-4000T | AC伺服马达 AC Servo motor | 四吸两抱 Four suctions Two fixtures | 4000 | 2500 | 3000 | 60 | 9.05 | 36.5 | 47 | ±0.1 | 2020 |
| BRTN30WSS5PF/FF | 6.11 | 2200T-4000T | AC伺服马达 AC Servo motor | 四吸两抱 (可调整) Four suctions Two fixtures (adjustable) | 横行拱总长 6米以内 Traverse total arch length: 6 meter | ≤2500 | ≤3000 | 60 | 待定 Undetermined | 待定 Undetermined | 47 | ±0.1 | 非标准 Nonstandard |

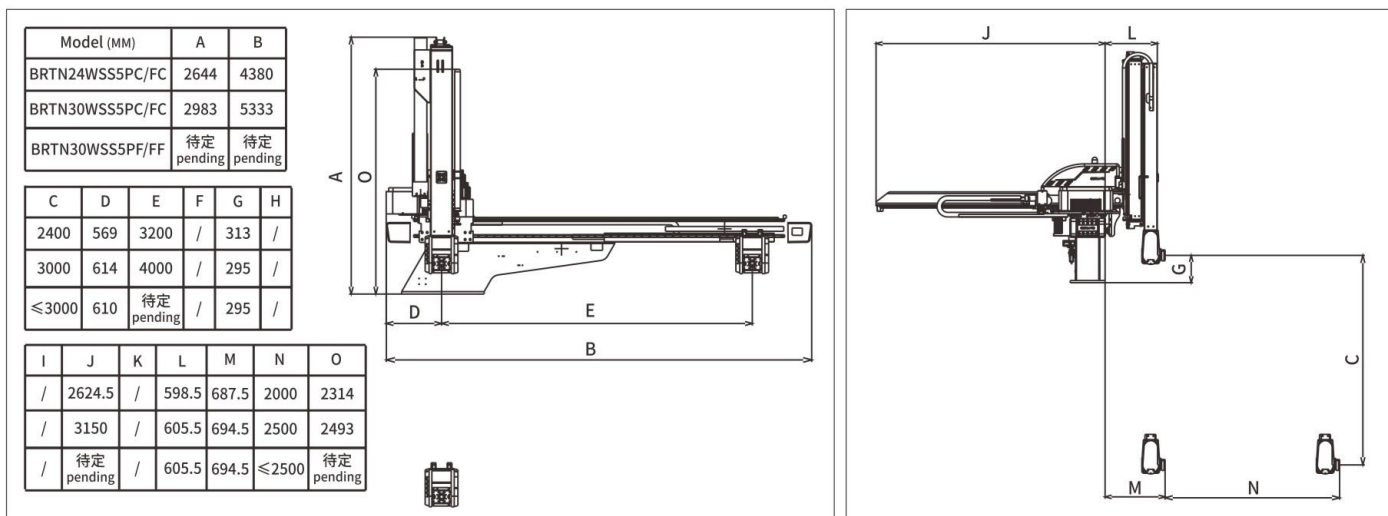
机型表示: W: 双截式 S: 单臂机械手 (成品臂) S5: 五轴AC伺服马达驱动 (成品臂上下、AC轴、引拔+横行)

Model representation: W: Telescopic type, S: Product arm, S5: Five-axis driven by AC Servo Motor (Traverse-axis, AC-axis, Vertical-axis+Crosswise-axis).

上述取物时间, 循环时间为我司内部测试标准测试结果, 在机器实际应用过程中会因实际使用行程, 负载, 调试参数不同而有所变化。

The above-mentioned cycle time are the results of our company's internal test standard. In the actual application process of the machine, they will vary according to the actual operation.

基本尺寸/活动范围 Basic Size/scope Of Activities



因改良等原因, 规格及外观有所变更时, 不再另行通知, 敬请谅解。

No further notice if the specification and appearance are changed due to improvement and other reasons. Thank you for your understanding.

01 快速切换 用于机器人或机械手与工装夹具的快速切换装置,可提高效率保障安全。

Quick change A fast switching device for robots or manipulators and fixtures to improve efficiency and safety.

机器人与工具的快速切换



OQC 系列 机器人自动快换
OQC series robot automatic quick changer

机械手与工具的快速切换



OQX 系列 机械手自动快换
OQX series robot automatic quick changer

设备与治具的自动切换



OQT 系列 治具自动快换
OQT series fixture automatic quick changer

设备与工具的手动切换



OC 系列 手动快换
OC series manual quick changer

设备与工具的手动切换



OCL 系列 手动快换
OCL series manual quick changer

设备与工具的手动切换



OWM 系列 手动快换
OWM series manual quick changer

02 气动剪切 用于塑胶和金属的剪切,可便捷集成各类自动化剪切方案工装。

Air nipper For the cutting of plastics and metals, it can easily integrate various automatic cutting solutions.

用于1-5mm的塑胶剪切



NL 系列 位移式气动剪刀
NL Displacement type air nipper

用于1-10mm的塑胶剪切



NF 系列 方形气动剪刀
NF Series square air nipper

用于1-10mm的塑胶剪切



SG 系列 圆形气动剪刀
SG series circular air nipper

用于1-10mm的塑胶剪切



NLM/NLMS 系列 位移式气动剪刀
NLM/NLMS Displacement air nipper

硬质塑胶的加热剪切



MD 系列 电热气剪
MD Electric hot air nipper

硬质塑胶的推入式加热剪切



OP 系列 电热气剪
OP Electric hot air nipper

控制电热气剪的温度



OP 系列 温度控制器
OP Temperature controller

03 抓取夹持

用于各类工作的抓取夹持工序, 品类多, 可便捷集成各类自动化抓取方案工装。
Grab grip It is used for grasping and clamping process of various kinds of work.

注塑取件方案的夹取部件



OGRZ系列水口夹
Nozzle clamp

注塑取件方案的夹取部件



OGS/OGX系列二指夹具
Two-finger clamp

工件的稳固和掀起



OFP/OFT/OFO/RFP气动拨指
Pneumatic finger pick

大型注塑工件抓取方案的部件



OZ32R系列老虎夹
Tiger clip

纺织品、复合材料的抓取



OGR系列针式夹爪
Pin claw

04 EOAT组件

工装夹具方案的型材及接装组件。
EOAT components Profiles and connecting components of the fixture solution.

工装夹具的外形搭建



安装型材
Mounting profile

固定型材的拼接搭建



型材固定组件
Profile holder

安装执行部件到型材



通用安装组件
Profile holder

用于工装连接的位置定点



EOAT定位组件
EOAT Locating components

固定气剪部件在工装夹具



气剪安装组件
Air Nipper assembly components

固定和连接真空吸盘件



真空安装组件
Vacuum assembly unit

Robot Quick Changer

机器人快换

|| OQC系列机器人自动快换

OQC series robot automatic quick changer



| | | | |
|----------|----------|----------|---------|
| OQC-005 | OQC-020 | OQC-040S | OQC-076 |
| OQC-005S | OQC-020S | OQC-042 | OQC-110 |
| OQC-011 | OQC-027 | OQC-060 | OQC-160 |
| OQC-015 | OQC-040 | OQC-060S | |

|| OQX系列机械手自动快换

OQX series automatic quick changer



OQX-05
OQX-10
OQX-30

|| OQT系列治具自动快换

OQT series fixture automatic quick changer



OQT-10
OQT-20
OQT-40

|| OC系列手动快换

OC series manual quick changer



OC-50
OC-90
OC-150
OC-200

|| OCL系列手动快换

OCL series manual quick changer



OCL-15RY/TY
OCL-15RS/TS
OCL-35RS/TS

|| OWM系列手动快换

OWM series manual quick changer



OWM-60A
OWM-100AL
OWM-160AL

Air Nipper

气动剪刀

NL 系列气剪 NL series air nipper



| | | |
|---------|---------|---------|
| NL-10A | NL-15A | NL-25A |
| NL-10AR | NL-15AR | NL-25AR |
| NL-10B | NL-15B | NL-25B |
| NL-10BR | NL-15BR | NL-25BR |

NF 系列方形气剪 NF series square air nipper



NF-210T
NF-220T
NF-230T

SG 系列圆形气剪 SG series round air nipper



SG-30DA

NLM/NLMS 系列位移式气剪 NLM/NLMS series displacement air nipper



NLM/NLMS-10
NLM/NLMS-20
NLM/NLMS-30

OP 系列电热气剪 OP series electric hot air nipper



MD-20D
MD-30D
MD-50D

OP 系列电热气剪 OP series electric hot air nipper



OP-20BTL/R
OP-20BTR
OP-30AT
OP-60AT

温度控制盒 Temperature controller



OP-150AD

Electric Vacuum Module

EOD-100A 电动真空模组

功能介绍 Function introduction

建议负载: 3kg
 工作电压: DC24V
 额定电流: 1A
 运行噪音: <40dB
 推荐使用环境: 0-40° C
 防护等级: IP56
 本体重量: 1520g
 外形尺寸: L136xW56xH130mm
 通讯方式: RS485 和 IO 两种模式

Rated load: 3kg
 Working voltage: DC24V
 Rated current: 1A
 Running noise: < 40dB
 Recommended environment: 0-40° C
 Protection level: IP56
 Body weight: 1520g
 Dimensions: L136xW56xH130mm
 Communication mode: RS485 and IO modes

自带标准法兰

可直接安装在机器人手臂末端

Standard flange
 It can be installed directly on the end of the robot arm

紧固螺丝
 Fastening screw

可视化屏显

可实时监控、调节各项参数

Visual display
 Real-time monitoring and adjustment of parameters

手动快换(本体侧)

自带快换, 可快速切换各类不同的末端治具, 直接连接吸盘、软爪或通过标准安装孔无限拓展治具方案。

Manual quick changer (body side)
 With its own quick changer, you can quickly switch various end fixtures, directly connect the suction cup, soft claw, or unlimited expansion of fixtures through standard mounting holes.

单线缆连接

通电即插即用

Single cable connection
 Power on plug and play

治具 气路分支治具, 通过标准安装孔可无限拓展治具

Jig: Gas path branch fixture, The fixture can be extended indefinitely through the standard mounting hole.

吸盘 根据产品所需, 选择适用执行元件(如吸盘、软爪等)

Suction cups: According to the product requirements, select the appropriate effector (such as suction cups, soft claws, etc.)

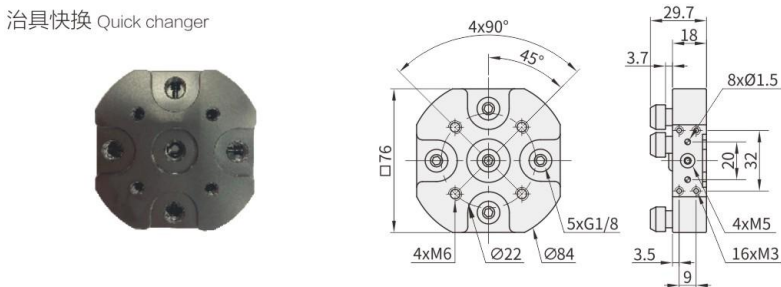
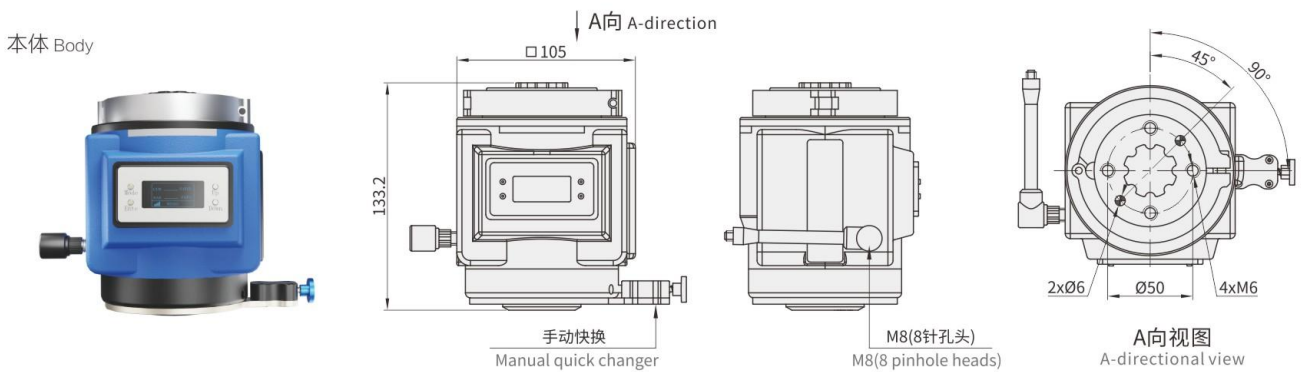
EQD-100B 治具快换

EQD-100B Change the fixture quickly

- ① 1. 负载取决于吸盘数量, 随吸盘数量的增加而增加。
- 2. 吸盘、治具为另购件, 根据客户需求选配、定制。
- 1. Suitable for plastic, sheet metal, battery, packaging industry
- 2. Suction cups and fixtures are purchased separately, selected and customized according to customer demand.

▶ 产品详情 Product details

| 序号 Serial number | 产品名称 Product name | 型号 Model number | 编码 Order No. | 备注说明 Remarks |
|----------------------|-----------------------|--------------------|-----------------|--|
| 主件 1 Main body | 本体 Body | EQD-100A | 7.08.01.0013 | / |
| 配件 1 Attachment 1 | 治具快换 Quick changer | EQD-100B | 7.08.01.0014 | / |
| 配件 2 Attachment 2 | 电源线缆 Power cable | / | 3.04.05.0024 | 高柔线, 线长5M The length of the high flexible cable is 5M |
| 配件 3 Attachment 3 | U盘 Usb flash drive | / | / | U盘内含安装软件包 The installation package is included. For details |



电源线缆 Power cable



U盘 Usb flash drive



具体操作见U盘内“操作说明”电子档；如有疑问请登入官方网站或联系工作人员。
For specific operation, see the "Operation Instructions" electronic file in the U disk; If you have any questions, please visit the official website or contact the staff.

Electric Vacuum Suction

EVE-260 电动真空吸具

功能介绍 Function introduction

建议负载: 20kg
工作电压: DC24V
额定电流: 3A
运行噪音: < 40dB
推荐使用环境: 0-40° C
防护等级: IP56
本体重量: 3kg
外形尺寸: L270xW175xH85mm
通讯方式: RS485 和 IO 两种模式

Rated load: 20kg
Working voltage: DC24V
Rated current: 3A
Running noise: < 40dB
Recommended environment: 0-40° C
Protection level: IP56
Body weight: 3kg
Dimensions: L270xW175xH85mm
Communication mode: RS485 and IO modes

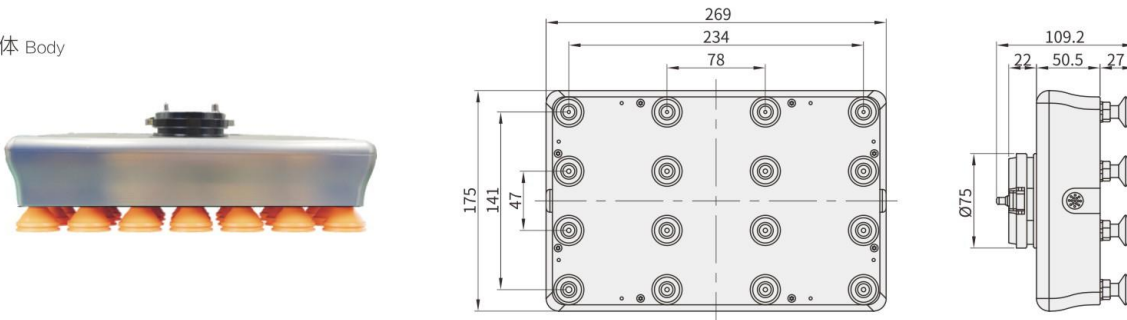


❗ 吸盘为另购件, 根据客户需求选配。
Suction cups are purchased separately and selected according to customer demand.

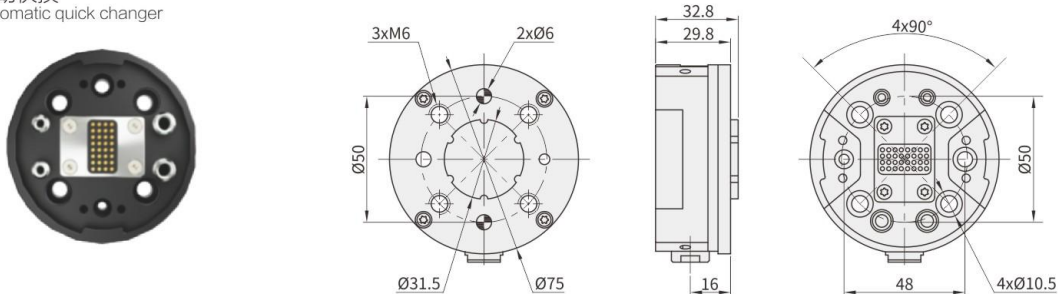
▶ 产品详情 Product details

| 序号 Serial number | 产品名称 Product name | 型号 Model number | 编码 Order No. | 备注说明 Remarks |
|----------------------|---------------------------------------|--------------------|-----------------|--|
| 主件 1 Main body | 本体 Body | EVE-260 | 0.00.00.0000 | / |
| 配件 1 Attachment 1 | 机器人侧自动快换 Robot side change quickly | QCE-20R | 7.08.01.0016 | 适用于: EQG-100A、EQB-100A、EVE-260、EVE-260SE本体 Applicable to: EQG-100A, EQB-100A, EVE-260, EVE-260SE ontology |
| 配件 2 Attachment 2 | 电源线缆 Power cable | / | 3.04.04.0237 | 高柔线, 线长5M The length of the high flexible cable is 5M |
| 配件 3 Attachment 3 | U盘 Usb flash drive | / | / | U盘内含安装软件包 The installation package is included. For details |

本体 Body



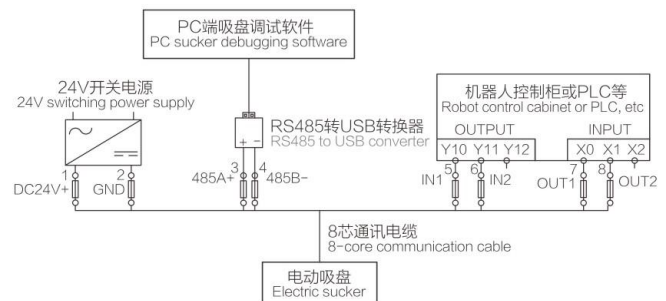
机器人侧自动快换
Robot side automatic quick changer



电源线缆 Power cable



接线图 Wiring diagram



U盘 Usb flash drive



具体操作见U盘内“操作说明”电子档; 如有疑问请登录官方网站或联系工作人员。

For specific operation, see the "Operation Instructions" electronic file in the U disk; if you have any questions, please visit the official website or contact the staff.

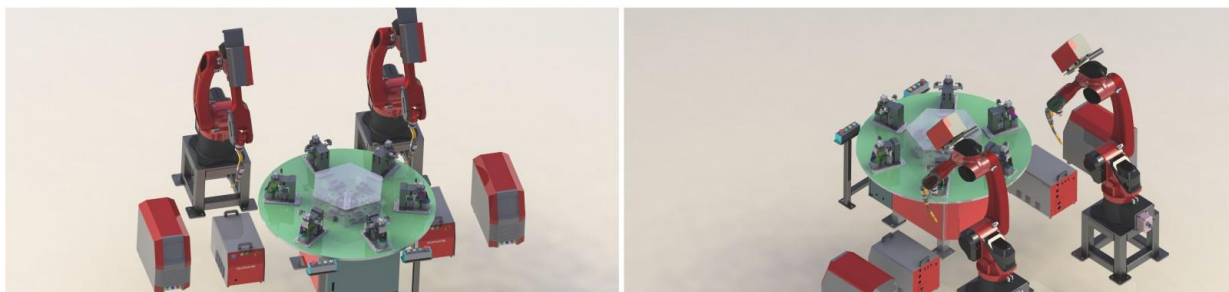
Caster Bracket Welding Project

脚轮支架焊接项目



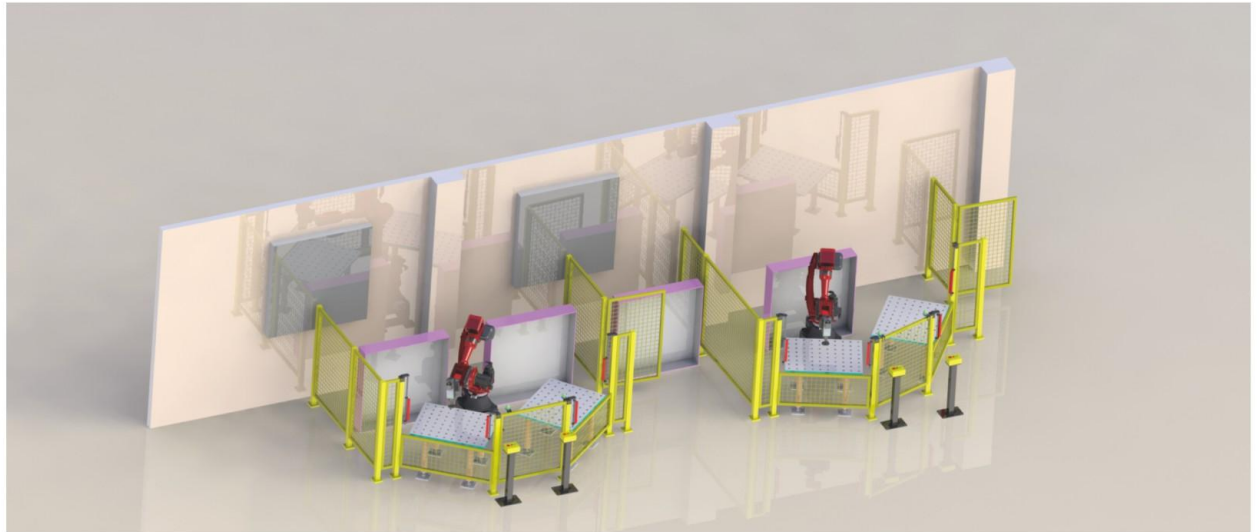
本项目采用MIG350ixr单脉冲焊接机，以及6工位1800W分割器转盘做为驱动工装动力，使用2台10kg级BRTIRUS1510A六轴工业机器人来实现整个自动化焊接，极大避免人工作业时产生的脉冲弧光伤害，比传统人工效率高。

This project uses a MIG350ixr single-pulse welding machine and a 6-station 1800W splitter turntable as the driving tooling power, and uses two 10kg-class BRTIRUS1510A six-axis robots to achieve the entire automated welding, which greatly avoids the pulse arc damage to manual work and is more efficient than traditional manual work.



1820A Robot For Grinding Application

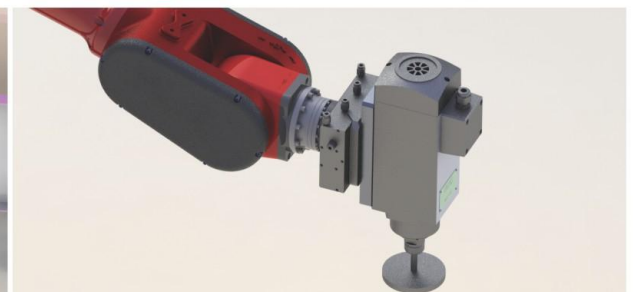
1820A机器人打磨项目



打磨项目, 电主轴打磨治具由一台BRTIRUS1820A六自由度机器人带动打磨产品, 由人工在定位台上进行上下料操作。

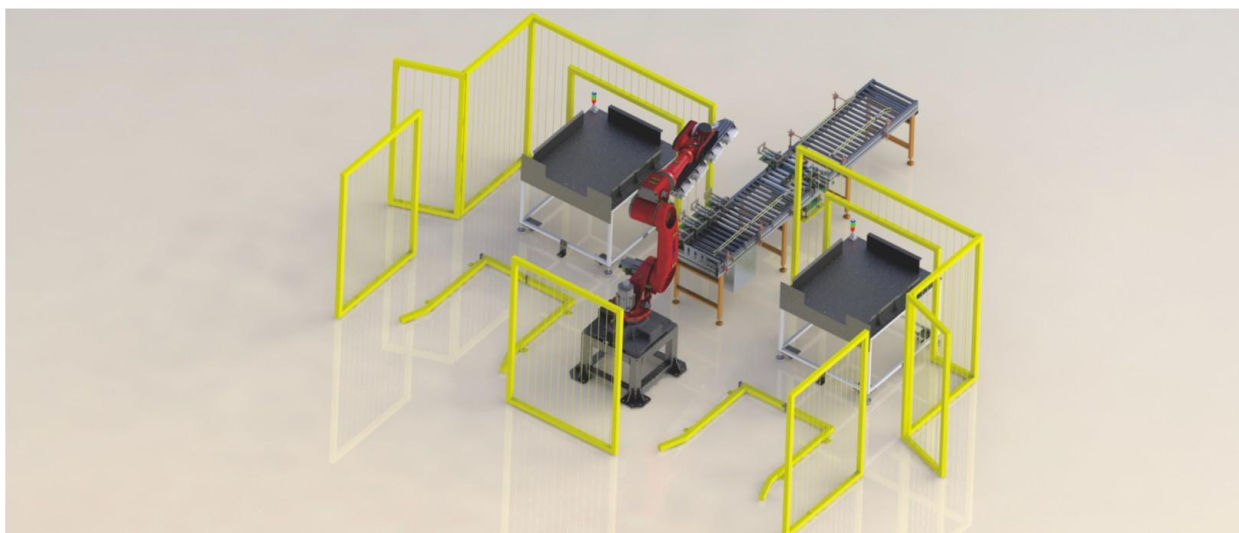
For the grinding project, the electric spindle grinding fixture is driven by a BRTIRUS1820A six-axis robot, when the grinding is completed, the material is manually loaded and unloaded onto the positioning table.

打磨治具
Grinding Tooling



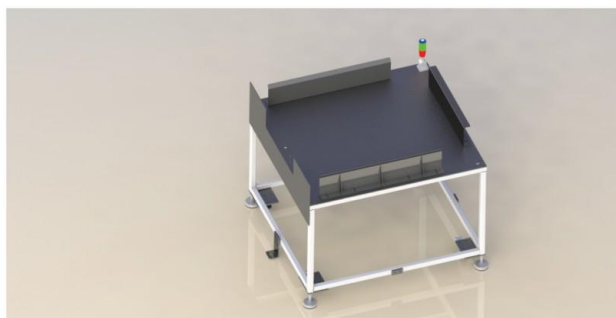
2550A Robot For Carton Box Palletizing

2550A纸盒码垛项目

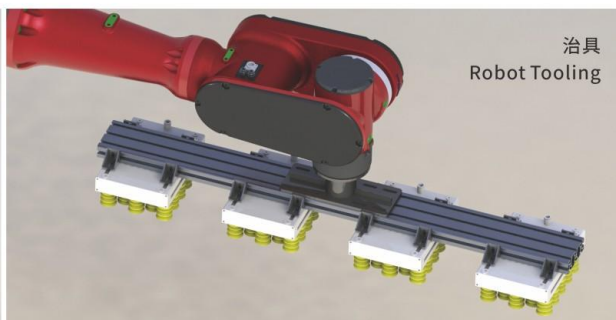
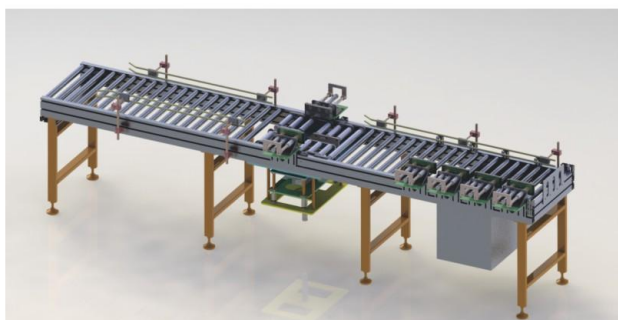


本采用BRTIRUS2550A六轴机器人和滚筒输送线代替人工码垛纸箱。

This project uses the BRTIRUS2550A six-axis robot and roller conveyor line to replace manual palletizing of cartons.

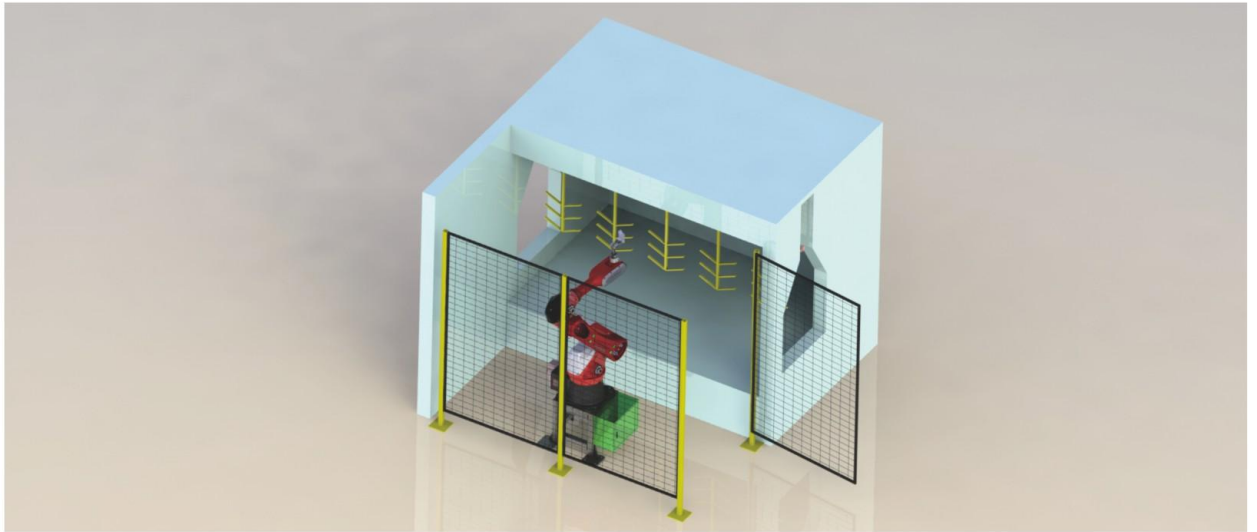


定位台
Positioning Table



Robot For Hanging Painting Line Project

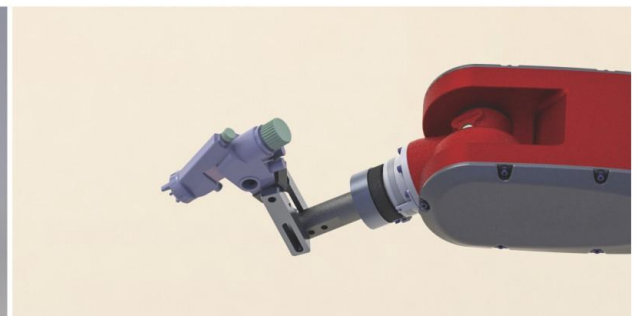
机器人悬挂喷漆线项目



悬挂喷漆线项目, 传感器感应到挂具流到喷涂区域时, BRTIRUS1510A六自由度机器人根据程序跟随流水线走轨迹对产品喷漆作业。

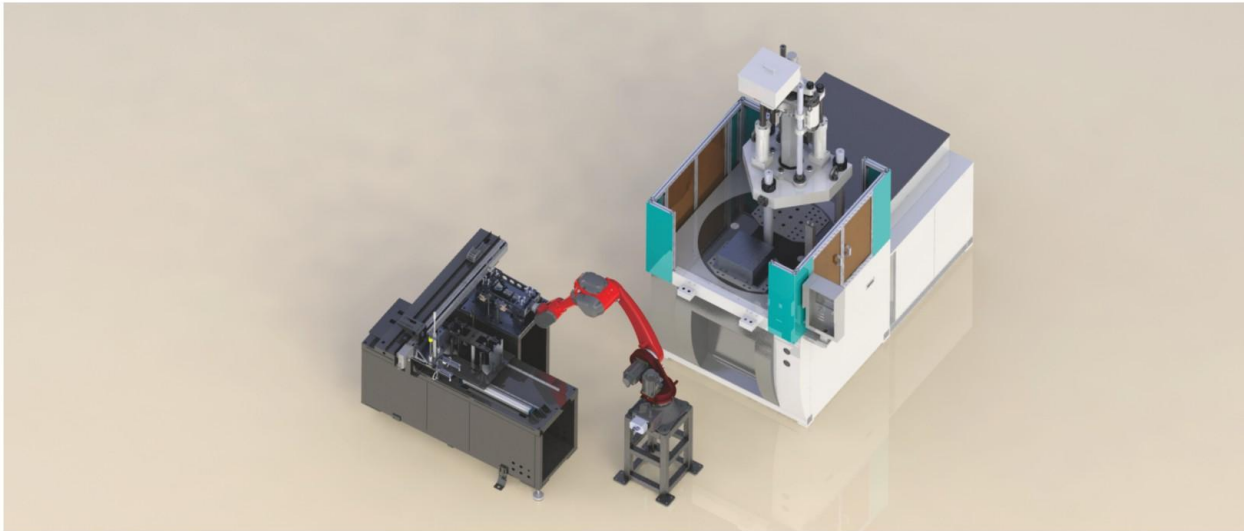
In the hanging painting line project, when the sensor testing that the hanger flows to the spraying area, the BRTIRUS1510A six-axis robot follows the trajectory of the assembly line to spray paint onto the product.

喷漆枪
Painting Gun



Knife Mold Insert And Removal For Vertical Injection Molding Machine

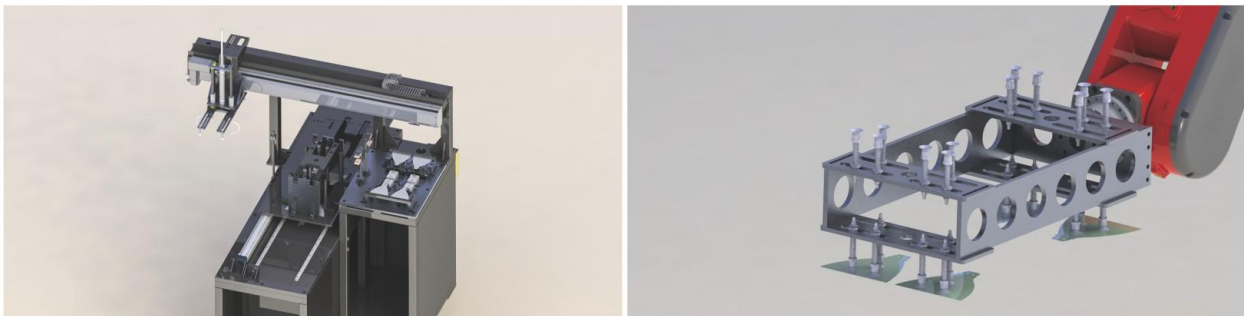
油灰刀立式注塑埋入取出



本项目采用BRTIRUS1820A六轴机器人和双工位上料机代替人工进行立式注塑埋入取出。

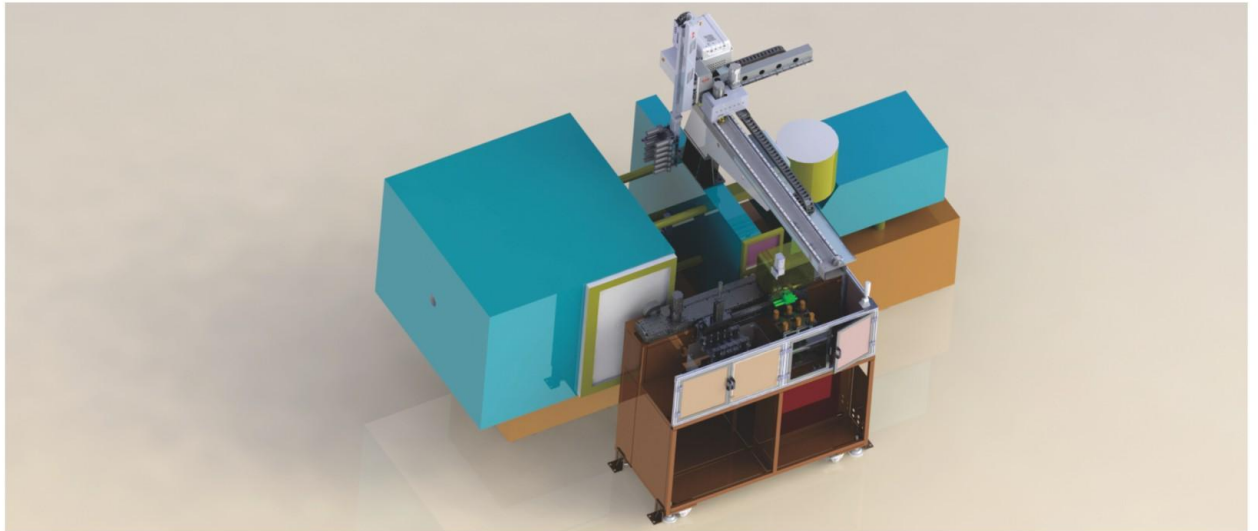
This project uses the BRTIRUS1820A six-axis robot and a double-station auto feeder to replace manual labors for vertical injection molding insertion and removal application.

治具
Robot Tooling



Robot For 6 Cavities Pet Bottles Take-out And Cut Runners Application

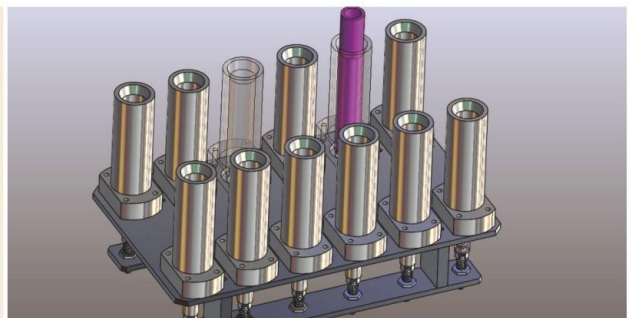
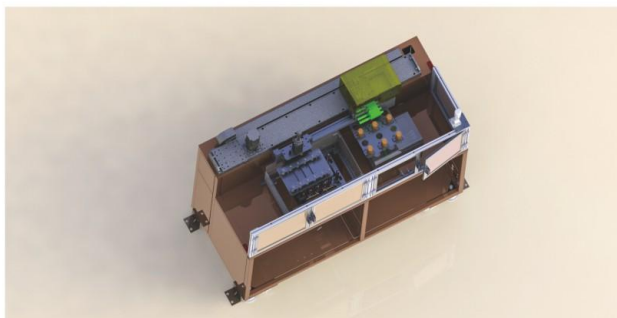
瓶胚一出六注塑取出剪水口项目



本项目采用BRTNN11WSS3P从注塑机取出瓶胚, 然后放于剪尾机设备剪水口, 成品治具最后把成品取走。

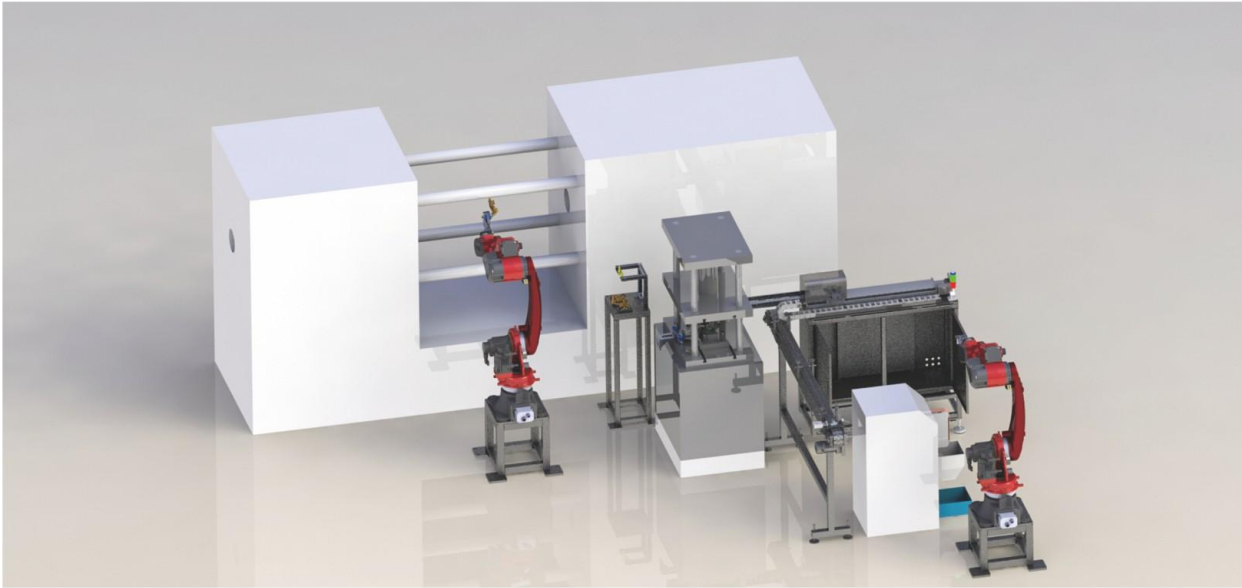
The project uses robot model BRTNN11WSS3P to take bottle from injection molding machine, and put bottle into the cutting table to cut the runner, and then take out the final product.

取出治具
Take-out Tooling



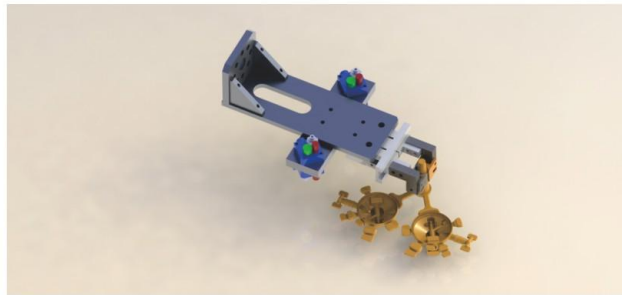
1820A Robot For Die Casting Machinery Parts Take-out,punching And Polishing Application

1820A压铸取出冲切打磨项目

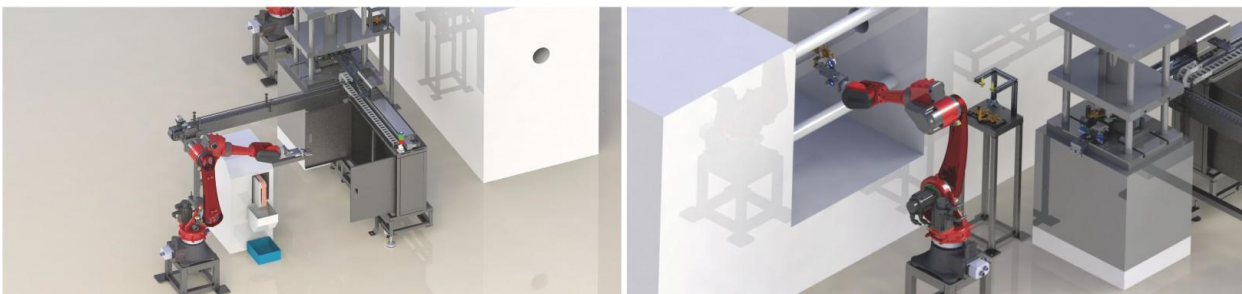


本项目采用BRTIRUS1820A六轴机器人进行压铸取出冲切打磨几道工序, 配备不锈钢输送线和打磨机。

This project uses the BRTIRUS1820A six-axis robot for die casting machinery parts take out, punching runner material, grinding parts surface, equipped with a stainless steel conveyor line.

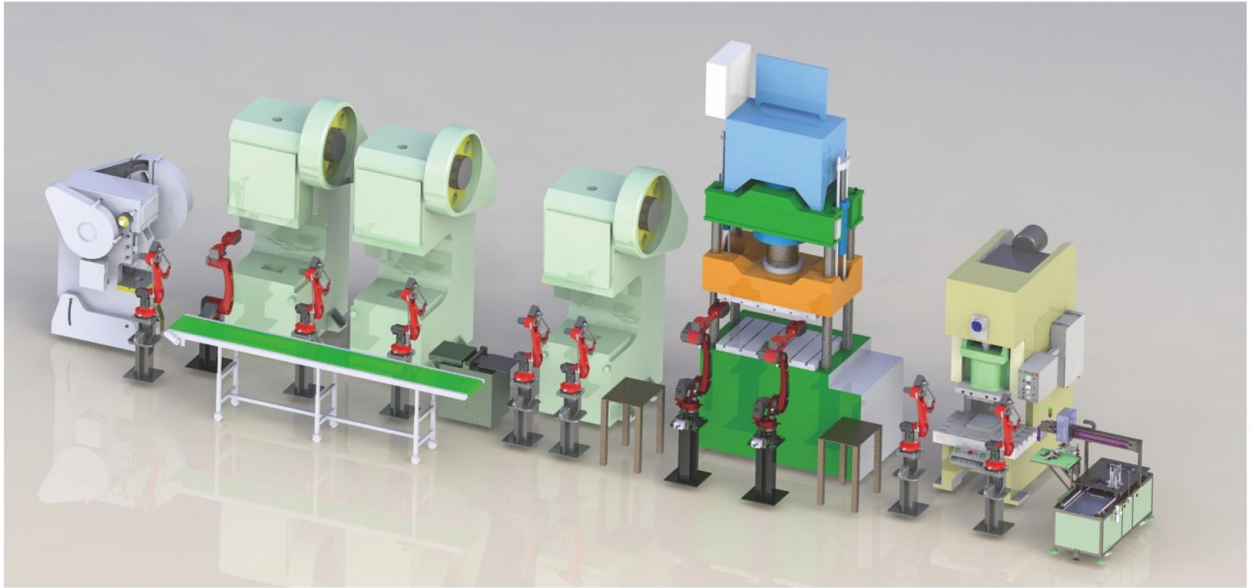


治具
Robot Tooling



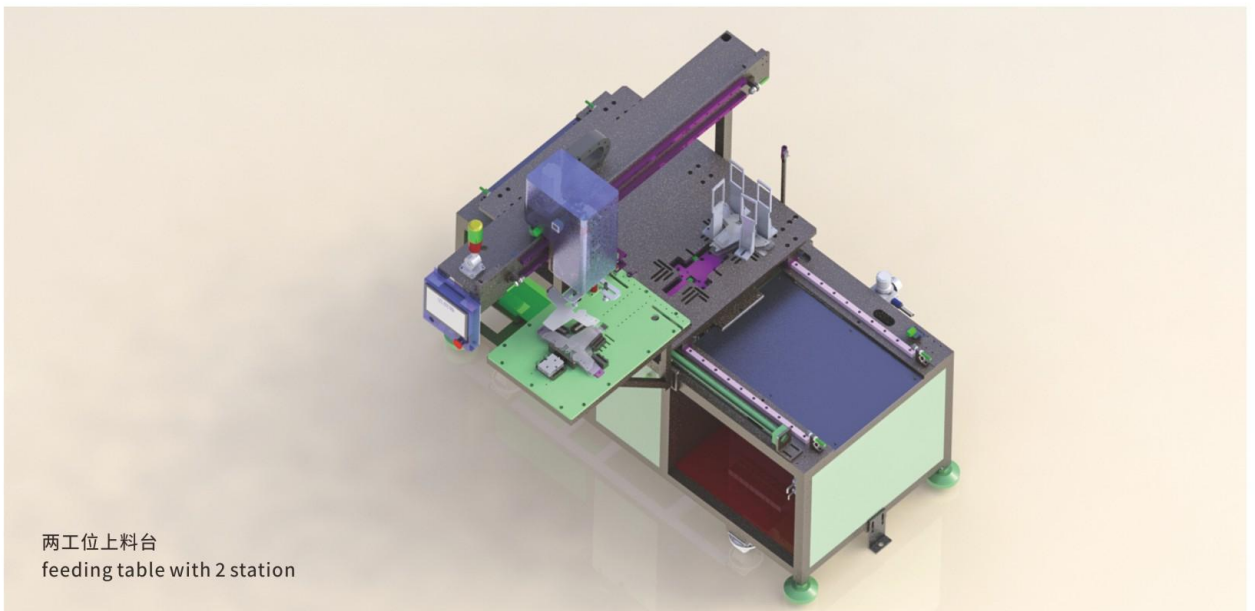
Robot Stamping Line

机器人冲压线



冲压连线项目，一套两工位上料台对产品进行精定位，然后10台BRTIRPZ1508A四自由度机器人依次对6台冲床自动上下料，并配备了两套中转台和一套翻转台，最后把产品放于输送带流走由人工处理。

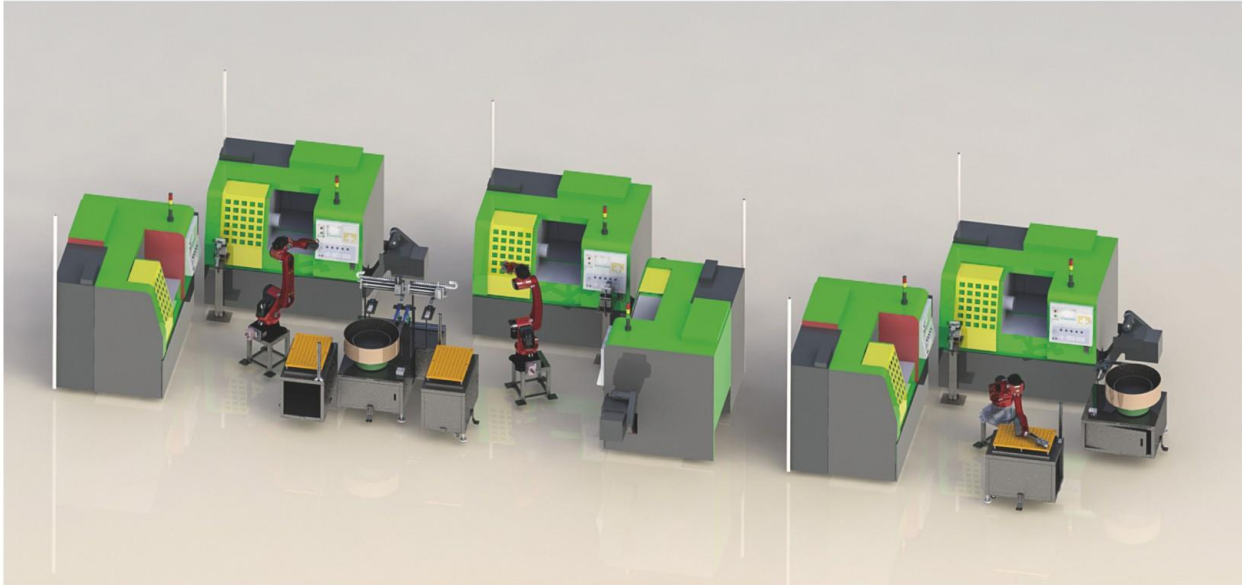
In the stamping line project, a two-station loading table precisely positions the product, and then 10 BRTIRPZ1508A four-axis robots automatically load and unload parts to the six stamping machines step by step. During production, two transfer tables and one flip table are also equipped. Final product will be placed on the conveyor belt and handled manually.



两工位上料台
feeding table with 2 station

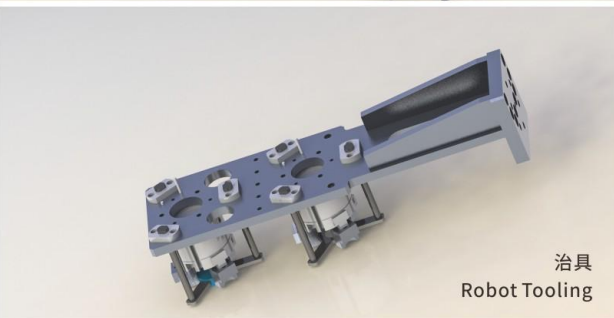
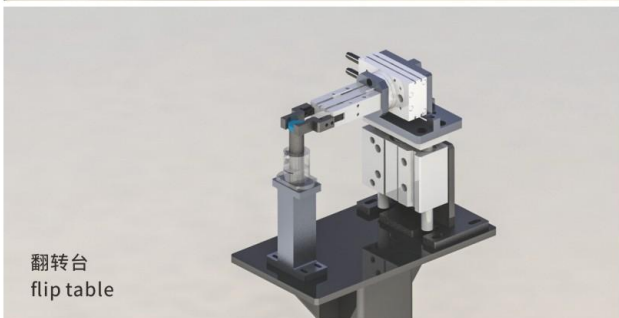
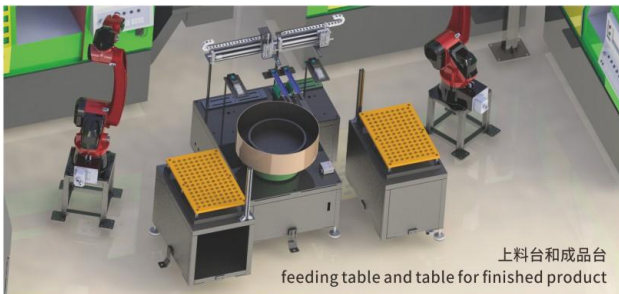
CNC Loading And Unloading Application

CNC上下料项目



本项目采用BRTIRUS1510A六轴机器人进行CNC上下料, 配备自动上料和翻转工装。

This project uses the BRTIRUS1510A six-axis robot for CNC loading and unloading application, equipped with automatic feeding system and flipping device.

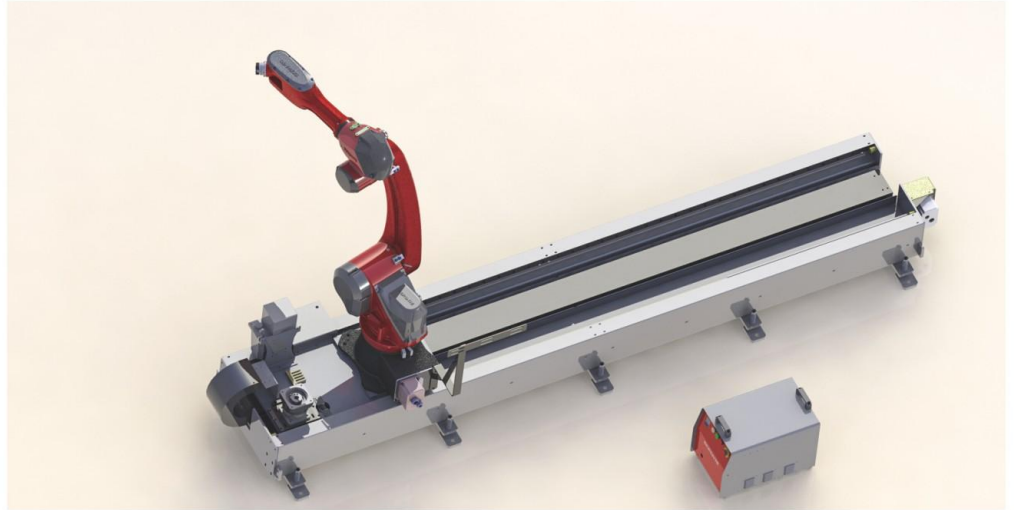


1510A Robot Work With Ground Rail

2.5m working stroke, cabinet on the ground, working stroke can be customized

1510A地轨项目

2.5m行程, 电箱放地上, 行程可定制



地轨项目, 地轨尺寸3800X850X320mm, 有效行程2500mm, 配备一台BRTIRUS1510A六自由度机器人, 电箱放于地上。

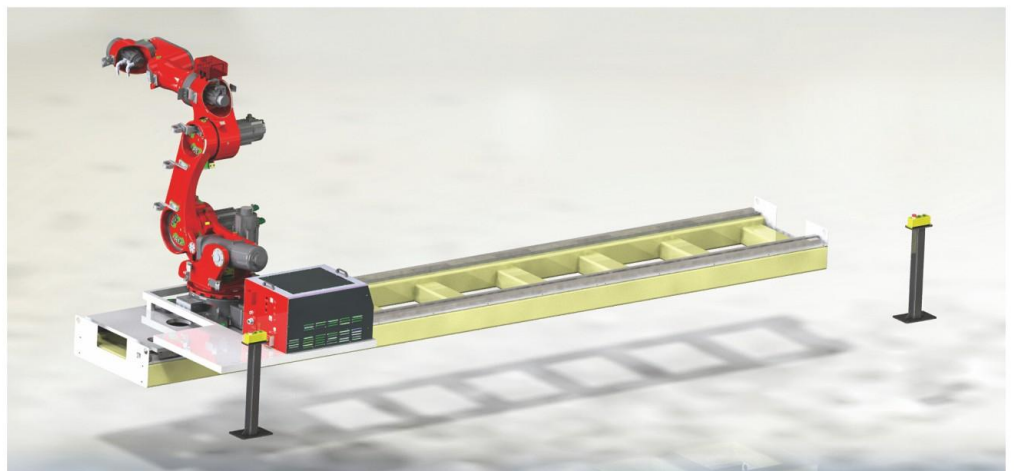
This project includes a 3800X850X320mm ground rail ,with working stroke of 2500 mm ,work with a BRTIRUS1510A robot, the electrical box is placed on the ground.

2520B Robot Work With Ground Rail

with 5000 Mm Working Stroke

2520B机器人地轨项目

5000mm行程



地轨项目, 地轨尺寸6700X1940X450mm, 有效行程5000mm, 配备一台BRTIRUS2520B六自由度机器人, 电箱放于地轨滑板上。

This project includes a 6700X1940X450mm rail (working stroke 5000mm) ,work with a BRTIRUS2520B six-axis robot, the electric drive box is placed onto the ground rail.



罗伯蒂克自动化科技(东莞)有限公司
ROBOTIC AUTOMATION TECHNOLOGY(DONGGUAN) CO., LTD

广东伯朗特科技有限公司
GUANGDONG BORUNTE TECHNOLOGY CO.,LTD

东莞市大朗镇沙步村沙常二路29号3栋105
Room 105,Building 3, No.29,Shachang 2nd Road,Dalang Town,
Dongguan City,Guangdong, China.

由于市场及产品改进的需要,本手册所列产品的照片、技术参数、说明有可能改变,恕不另行通知,最终解释权归本公司所有!
Due to the needs of the market and product improvement, the photos, technical parameters,
and descriptions of the products listed in this manual may be changed without notice. The final interpretation right belongs to our company!